

SCE110 Series

Fiberglass Enclosure for 1 to 4 SC300 Series Signal Conditioners,
NEMA 4X (IP66) Rated



VIBRATION ANALYSIS HARDWARE

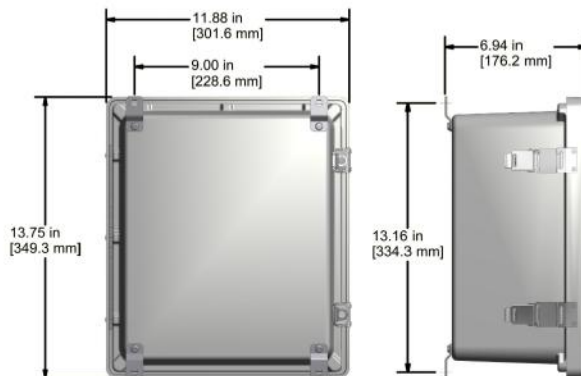


Product Features

Provides 4-20 mA Signals along with dynamic outputs from remotely installed accelerometers to PLC/DCS systems and portable data collectors

Accommodates up to 4 SC300 Series Signal Conditioners factory wired to power supply

- ▶ Accepts up to 4 single output sensor inputs for a maximum of 4 channels of measurement
- ▶ Includes DC Power Supply with 100-240 VAC Input
- ▶ Signal conditioners sold separately



Specifications

Temperature Range	15°F (-10°C) to 140°F (60°C)
Enclosure Material	Fiberglass
Power	100-240 VAC
Inputs	Vibration Input: 1 Input/channel
Outputs	BNC Jack for Dynamic Signal and Screw Terminal Blocks for 4-20 mA outputs
Sensor Input Options	1 - 4 Channels
Rating	NEMA 4X
Door Closure	Twist Latch
Dimensions	11.88 x 13.75 x 6.94 in (302 x 349 x 176 mm)
Cord Grips	Nylon Cord Grips Available
Resistance	Resistant to Hose Directed Fluid and Corrosion

Ordering Information

SCE

□	□	□	-	□□	-	□	□
Enclosure Material	Output Signal	Input Signal[§]		Signal Conditioners		Enclosure Entry	Enclosure Exit
1 = Fiberglass Enclosure, Standard Size 2 = Stainless Steel Enclosure, Standard Size	1 = Standard 4-20 mA or DC Voltage Output	1 = Single Vibration Band Output with 1 Vibration Signal Input 2 = Single Vibration Band Output with Temperature Output 3 = Dual Vibration Band Output with 1 Vibration Signal Input 4 = Dual Vibration Band Output with Temperature Output		01 = 1 Signal Conditioner 02 = 2 Signal Conditioners 03 = 3 Signal Conditioners 04 = 4 Signal Conditioners		A = None* B = 1½ in. Conduit** C = Nylon Cord Grips N = Nickel Plated Cord Grips* S = Stainless Steel Cord Grips*	A = None* B = 1½ in. Conduit**

*No punch outs are provided in the enclosure for cable entry. User may install any fitting required

**For use with conduit.

§Stainless Steel Enclosure Only

¶All CTC Signal Conditioners only accept input from a single sensor. A dual output accelerometer is required for receiving vibration and temperature data.

Backed by our Unconditional Lifetime Warranty

www.ctconline.com | sales@ctconline.com | 585-924-5900

SCE310 Series

Fiberglass Enclosure for 1 to 8 SC300 Series Signal Conditioners,
NEMA 4X (IP66) Rated



VIBRATION ANALYSIS HARDWARE

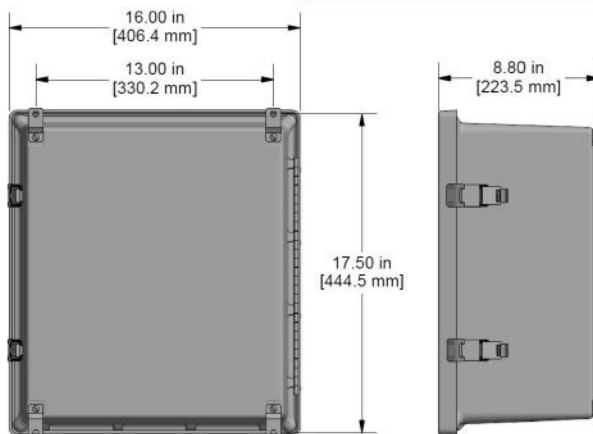


Product Features

Provides 4-20 mA Signals along with dynamic outputs from remotely installed accelerometers to PLC/DCS systems and portable data collectors

Accommodates up to 8 SC300 Series Signal Conditioners factory wired to power supply

- ▶ Accepts up to 8 single output sensor inputs for a maximum of 8 channels of measurement
- ▶ Includes DC Power Supply with 100-240 VAC Input
- ▶ Signal conditioners sold separately



Specifications

Temperature Range	15°F (-10°C) to 140°F (60°C)
Enclosure Material	Fiberglass
Power	100-240 VAC
Inputs	Vibration Input: 1 Input/channel
Outputs	BNC Jack for Dynamic Signal and Screw Terminal Blocks for 4-20 mA outputs
Sensor Input Options	1 - 8 Channels
Rating	NEMA 4X
Door Closure	Twist Latch
Dimensions	16.00 x 17.50 x 8.80 in (406 x 445 x 224 mm)
Cord Grips	Nylon Cord Grips Available
Resistance	Resistant to Hose Directed Fluid and Corrosion

Ordering Information

SCE	□	□	□	-	□□	-	□	□
Enclosure Material	Output Signal	Input Signal[§]	Signal Conditioners		Enclosure Entry		Enclosure Exit	
3 = Fiberglass Enclosure, Large Size 4 = Stainless Steel Enclosure, Large Size	1 = Standard 4-20 mA or DC Voltage Output	1 = Single Vibration Band Output with 1 Vibration Signal Input 2 = Single Vibration Band Output with Temperature Output 3 = Dual Vibration Band Output with 1 Vibration Signal Input 4 = Dual Vibration Band Output with Temperature Output	01 = 1 Signal Conditioner 02 = 2 Signal Conditioners 03 = 3 Signal Conditioners 04 = 4 Signal Conditioners 05 = 5 Signal Conditioners 06 = 6 Signal Conditioners 07 = 7 Signal Conditioners 08 = 8 Signal Conditioners		A = None* B = 1½ in. Conduit** C = Nylon Cord Grips N = Nickel Plated Cord Grips† S = Stainless Steel Cord Grips†		A = None* B = 1½ in. Conduit**	

*No punch outs are provided in the enclosure for cable entry. User may install any fitting required
 **For use with conduit.
 †Stainless Steel Enclosure Only
 ‡All CTC Signal Conditioners only accept input from a single sensor. A dual output accelerometer is required for receiving vibration and temperature data.

Backed by our Unconditional Lifetime Warranty

www.ctconline.com | sales@ctconline.com | 585-924-5900