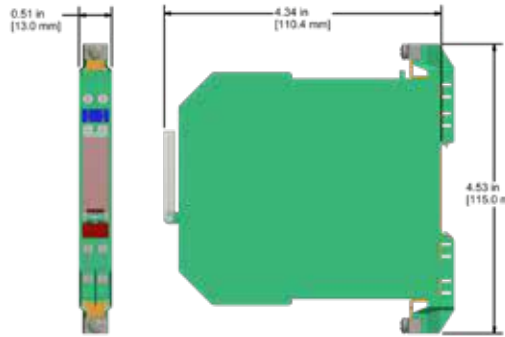


Intrinsically Safe Barriers – Single Input



Stock Product



Ambient Temperature Rating: -4°F to +140°F (-20°C to +60°C)

IS141-1B

Compatible with Intrinsically Safe IEPE Sensors and Intrinsically Safe 4-20 mA Sensors

- Zener Diode Barrier
- 2-Channel
- DIN Rail Mounting
- DC Version, Positive Polarity
- Working Voltage 26.5 V at 10 μ A
- Series Resistance Max. 327 Ω
- Fuse Rating 50 mA



Stock Product



Ambient Temperature Rating: -4°F to +140°F (-20°C to +60°C)

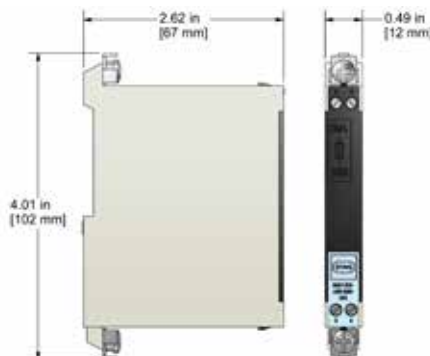
IS151-1B

Compatible with Intrinsically Safe Proximity Probes

- Zener Diode Barrier
- 2-Channel
- DIN Rail Mounting
- DC Version, Negative Polarity
- Working Voltage 26.5 V at 10 μ A
- Series Resistance Max. 327 Ω
- Fuse Rating 50 mA



Stock Product



Ambient Temperature Rating: -4°F to +140°F (-20°C to +60°C)

IS111-1B

Compatible with Intrinsically Safe IEPE Sensors

Lifetime Warranty on Materials & Workmanship

www.ctconline.com • 800-999-5290



PROTECTION & RELIABILITY INSTRUMENTS

IS200

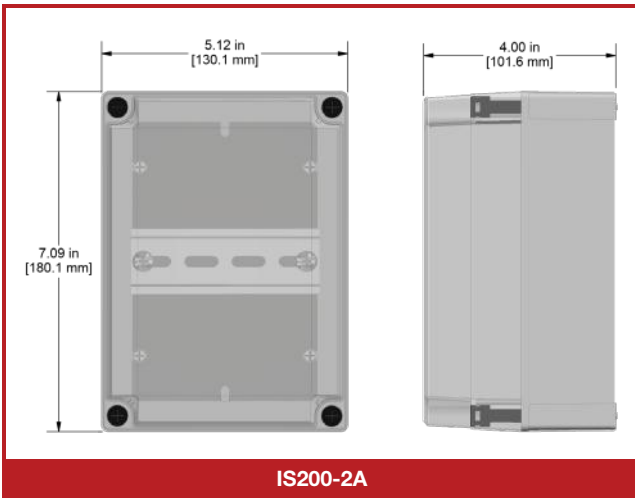
Barrier Enclosures



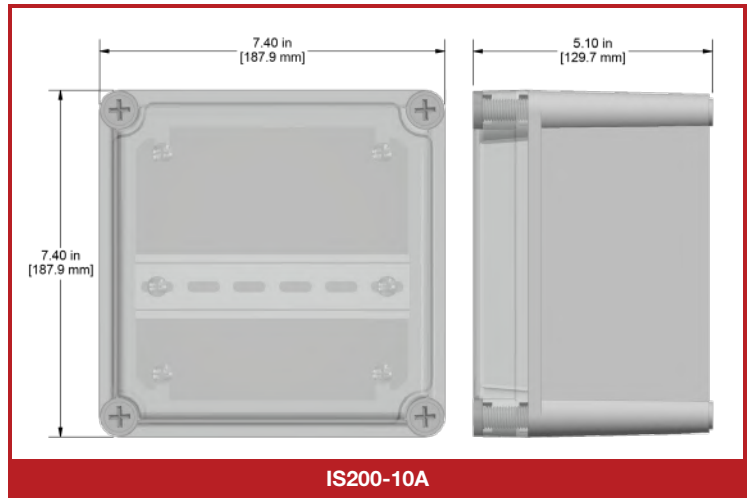
Product Features

Compatible with both IS111 accelerometer and IS151 proximity probe barriers

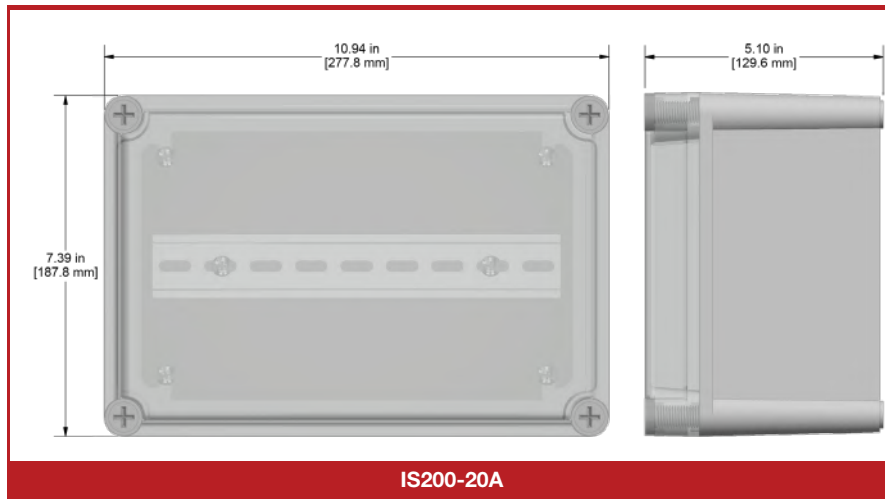
Includes Din Rail for easy mounting of barriers



IS200-2A



IS200-10A



IS200-20A

Ordering Information

IS200 -

--	--

 A

Optional Output

- 02 = 1-2 Barriers
- 10 = 3-10 Barriers
- 20 = 11-20 Barriers

Backed by our Unconditional Lifetime Warranty

www.ctconline.com | sales@ctconline.com | 585-924-5900