

CR102 Series

Cable Reduction Box, Fiberglass Enclosure, NEMA 4X (IP66) Rated, -58 to 180 °F (-50 to 82 °C)



VIBRATION ANALYSIS HARDWARE

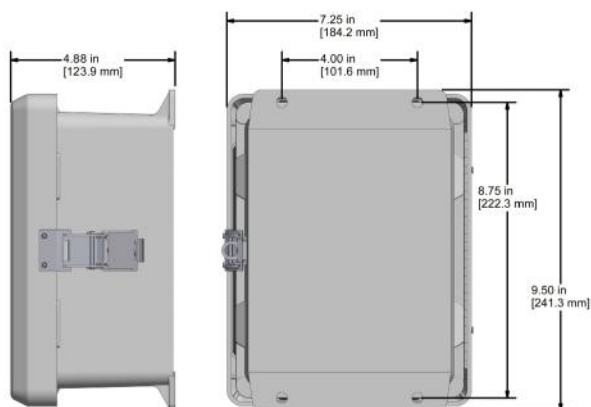


Product Features

Helps Reduce Cable Clutter

Ideal solution for consolidating cables & reducing costs

- ▶ Reduce up to 16 individual cables to one multi-conductor cable
- ▶ Can reduce cable costs by as much as 75%
- ▶ Exit conduit comes pre-installed for boxes with factory penetrations (no exit conduit is supplied if User Defined is selected).



Specifications

Temperature Range	-58°F to 180°F (-50°C to 82°C)
Enclosure Material	Fiberglass
Inputs	Terminal Block 3 Inputs per Channel (+ - Shield)
Outputs	Terminal Block 3 Outputs per Channel (+ - Shield)
Sensor Input Options	12 Channels
Rating	NEMA 4X (IP66)
Door Closure	Snap Latch
Dimensions	7.25 x 9.50 x 4.88 in (184 x 241 x 124 mm)
Cord Grips	Optional
Resistance	Resistant to Hose Directed Fluid and Corrosion

Ordering Information

CR -

Enclosure Type	Channels	Input Options
102 - Fiberglass Enclosure 202 - Stainless Steel Enclosure	8 - 8 Channels 12 - 12 Channels 16 - 16 Channels	A - User Defined* B - Conduit Fitting** C - Cord Grips S - Stainless Steel Cord Grips*

*No punch outs are provided in the enclosure for cable entry. User may install any fitting required.
**For use with conduit.
*Stainless steel enclosure only.

Backed by our Unconditional Lifetime Warranty

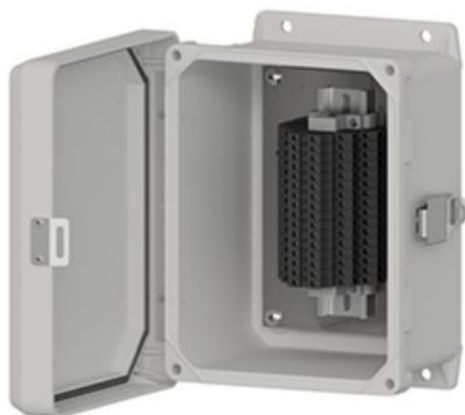
www.ctconline.com | sales@ctconline.com | 585-924-5900

CRHT102 Series

High Temperature Cable Reduction Box, Fiberglass Enclosure,
NEMA 4X (IP66) Rated, -40 to 212 °F (-40 to 100 °C)



VIBRATION ANALYSIS HARDWARE

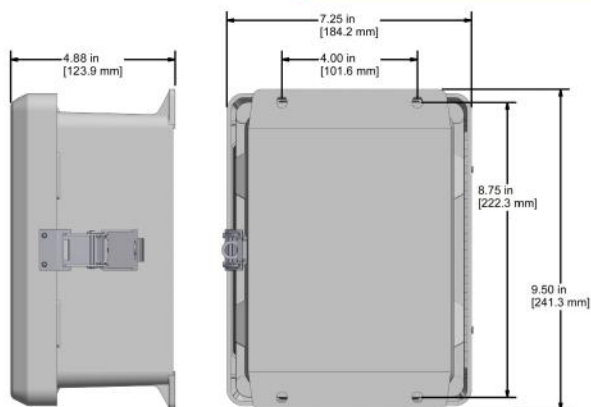


Product Features

Reduce Cable Clutter in High Temperature Areas.

Ideal solution for consolidating cables & reducing costs.

- ▶ Reduce up to 16 individual cables to one multi-conductor cable.
- ▶ Can reduce cable costs by as much as 75%.
- ▶ Exit conduit comes pre-installed for boxes with factory penetrations (no exit conduit is supplied if User Defined is selected).



Specifications

Temperature Range	-40°F to 212°F (-40°C to 100°C)
Enclosure Material	Fiberglass
Inputs	Terminal Block 3 Inputs per Channel (+, -, Shield)
Outputs	Terminal Block 3 Inputs per Channel (+, -, Shield)
Sensor Input Options	12 or 16 Channels
Rating	NEMA 4X (IP66)
Door Closure	Snap Latch
Dimensions	7.25 x 9.50 x 4.88 in (184 x 241 x 124 mm)
Resistance	Resistant to Hose Directed Fluid and Corrosion

Ordering Information

CRHT -

Enclosure Type	Channels	Input Options
102 - Fiberglass Enclosure 202 - Stainless Steel Enclosure	12 - 12 Channels 16 - 16 Channels	A - User Defined* B - Conduit Fitting** C - Cord Grips S - Stainless Steel Cord Grips*

*No punch outs are provided in the enclosure for cable entry. User may install any fitting required.
**For use with conduit.
*Stainless steel enclosure only.

Backed by our Unconditional Lifetime Warranty

www.ctconline.com | sales@ctconline.com | 585-924-5900