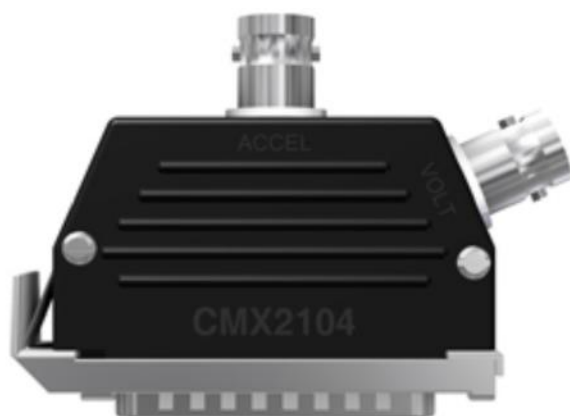


# CMX2104



VIBRATION ANALYSIS HARDWARE

Emerson 2130/2120 Compatible 25 Pin Adapter to Dual BNC "E" Jacks, Channel "1" Acceleration Input, Channel "2" Voltage Input



## Specification

Connectors	25 Pin Adapter, Dual BNC Jacks
Input	Acceleration IEPE or Voltage Input

## Compatible Data Collectors

CSI2120, CSI2130

## Ratings & Certifications

**RoHS**

Stock Product

Backed by our Unconditional Lifetime Warranty

[www.ctconline.com](http://www.ctconline.com) | [sales@ctconline.com](mailto:sales@ctconline.com) | 585-924-5900

# CMX2105



VIBRATION ANALYSIS HARDWARE

Emerson 2130/2120 Compatible 25 Pin Adapter with Dual BNC Outputs, Channel "A" Acceleration Output, Channel "B" Acceleration Output



## Specification

Connectors	25 Pin Adapter, Dual BNC Outputs
Input	Acceleration IEPE Input

## Compatible Data Collectors

CSI 2120/2130

## Ratings & Certifications

**RoHS**

Stock Product

Backed by our Unconditional Lifetime Warranty

[www.ctconline.com](http://www.ctconline.com) | [sales@ctconline.com](mailto:sales@ctconline.com) | 585-924-5900

# CMX2106



VIBRATION ANALYSIS HARDWARE

Emerson 2130/2120 Compatible, 25 Pin Adapter, Single BNC Input / Dual Output Wired for Channel "A" Acceleration Input and Channel "B" PeakVue (Comparable to Emerson PN: A06240A)



## Specification

Connectors	25 Pin Adapter, Dual BNC Jacks
Input	Acceleration IEPE Input

## Compatible Data Collectors

CSI 2120, CSI2130

## Ratings & Certifications

**RoHS**

Stock Product

Backed by our Unconditional Lifetime Warranty

[www.ctconline.com](http://www.ctconline.com) | [sales@ctconline.com](mailto:sales@ctconline.com) | 585-924-5900

# CMX2121

Emerson 2120 Compatible, 25 Pin Adapter with 2 BNC Jacks Wired for 2 Channel Voltage Input



VIBRATION ANALYSIS HARDWARE



## Specification

Connectors	25 Pin Adapter, Dual BNC Jacks
Input	Voltage Input

## Compatible Data Collectors

CSI 2120

## Ratings & Certifications

RoHS

Stock Product

Backed by our Unconditional Lifetime Warranty

[www.ctconline.com](http://www.ctconline.com) | [sales@ctconline.com](mailto:sales@ctconline.com) | 585-924-5900

# CMX2135



Emerson 2140/2130 Compatible, 5 Pin M12 Connector to BNC Jack, Single Channel Acceleration Input

VIBRATION ANALYSIS HARDWARE



## Specification

Jacket Material	Polyurethane
Cable Length	18 in (457.2 mm)
Connectors	5 Pin M12, BNC Jack
Input	Acceleration
Cable Diameter	.25 in (6.4 mm)
Conductor Cable	CB103
Bending Radius	1.25 in (31.8 mm)
Max Temperature	250°F (121°C)

## Compatible Data Collectors

CSI 2130, CSI 2140

## Ratings & Certifications

RoHS

Stock Product

Backed by our Unconditional Lifetime Warranty

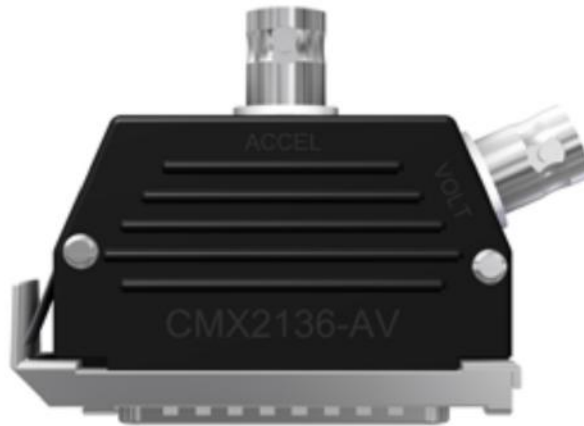
[www.ctconline.com](http://www.ctconline.com) | [sales@ctconline.com](mailto:sales@ctconline.com) | 585-924-5900

# CMX2136-AV



VIBRATION ANALYSIS HARDWARE

Emerson 2130/2120 Compatible, 25 Pin Adapter Allows for Simultaneous Input to Channel 1 BNC Acceleration and Channel 2 BNC for Voltage Input



## Specification

Connectors	25 Pin Adapter, Dual BNC Jacks
Input	Acceleration IEPE and Voltage Input

## Compatible Data Collectors

CSI 2130

## Ratings & Certifications

**RoHS**

Stock Product

Backed by our Unconditional Lifetime Warranty

[www.ctconline.com](http://www.ctconline.com) | [sales@ctconline.com](mailto:sales@ctconline.com) | 585-924-5900

# CMX2136-VV



VIBRATION ANALYSIS HARDWARE

Emerson 2130/2120 Compatible, 25 Pin Adapter with Two BNC Jacks, Channel 1 Voltage Input, Channel 2 Voltage Input



## Specification

Connectors	25 Pin Adapter, Dual BNC Jacks
Input	Dual Voltage Input

## Compatible Data Collectors

CSI 2130

## Ratings & Certifications

RoHS

Stock Product

Backed by our Unconditional Lifetime Warranty

[www.ctconline.com](http://www.ctconline.com) | [sales@ctconline.com](mailto:sales@ctconline.com) | 585-924-5900

# CMX2147



VIBRATION ANALYSIS HARDWARE

Emerson 2140 Compatible, 8 Pin M12 Connector to 4 Pin LEMO® Connector, Single Channel Tachometer Input, 21" Straight Cable for SpeedVue



## Specification

Jacket Material	Polyurethane
Cable Length	1.75 feet
Connectors	8 Pin Circular M12, 4 Pin Lemo
Input	Tachometer Input
Cable Diameter	0.175"
Conductor Cable	2 conductor

## Compatible Data Collectors

CSI2140 w/ SpeedVue Sensor

## Ratings & Certifications

**RoHS**

Stock Product

Backed by our Unconditional Lifetime Warranty

[www.ctconline.com](http://www.ctconline.com) | [sales@ctconline.com](mailto:sales@ctconline.com) | 585-924-5900



# CMX2148



VIBRATION ANALYSIS HARDWARE

Emerson 2140 Compatible, 8 Pin M12 Connector to 4 Pin Amphenol Connector, 2' (0.6 m) Straight Cable for 404 Series Laser Tachometer, Single Channel Tachometer Input



## Specification

Jacket Material	Polyurethane
Cable Length	2 feet
Connectors	8 Pin Circular M12, 4 Pin Tyco/Amp Connector
Input	Tachometer Input
Cable Diameter	0.175"
Conductor Cable	4 conductor

## Compatible Data Collectors

CSI2140 w/ 404 Series Laser Tach

## Ratings & Certifications

**RoHS**

Stock Product

Backed by our Unconditional Lifetime Warranty

[www.ctconline.com](http://www.ctconline.com) | [sales@ctconline.com](mailto:sales@ctconline.com) | 585-924-5900

# CMX2149



VIBRATION ANALYSIS HARDWARE

Emerson 2140 Compatible, 8 Pin M12 Connector to BNC "F" Plug Connector, 2' (0.6 m) Straight Cable for TTL Tachometer, Single Channel Tachometer Input



## Specification

Jacket Material	Polyurethane
Cable Length	2 feet
Connectors	8 Pin Circular M12, BNC Plug
Input	Tachometer Input
Cable Diameter	0.175"
Conductor Cable	4 conductor

## Compatible Data Collectors

CSI 2140 w/ TTL Tach

## Ratings & Certifications

**RoHS**

Stock Product

Backed by our Unconditional Lifetime Warranty

[www.ctconline.com](http://www.ctconline.com) | [sales@ctconline.com](mailto:sales@ctconline.com) | 585-924-5900

# CMX2154



Emerson 2130 Compatible, 5 Pin Molded M12 Connector to BNC "F" Plug, Single Channel Acceleration Input

VIBRATION ANALYSIS HARDWARE



## Specification

Jacket Material	Black Polyurethane
Connectors	5 pin molded M12, BNC plug
Input	Acceleration Input
Cable Diameter	0.250" OD
Conductor Cable	2 Conductor

## Compatible Data Collectors

CSI 2130

Stock Product

Backed by our Unconditional Lifetime Warranty

[www.ctconline.com](http://www.ctconline.com) | [sales@ctconline.com](mailto:sales@ctconline.com) | 585-924-5900

# CMX2155



VIBRATION ANALYSIS HARDWARE

Emerson 2140 Compatible, 4 Channel Acceleration Input Adapter, 5 Pin A-Coded M12 Connector to 5 Socket A Coded M12 Adapter, 9" (23cm) Straight Cable



## Specification

Jacket Material	Polyurethane
Cable Length	9" (23 cm)
Connectors	5 Pin M12, 5 Socket M12
Input	Acceleration IEPE
Cable Diameter	0.250"
Conductor Cable	6 conductor

## Compatible Data Collectors

CSI2140

## Ratings & Certifications

**RoHS**

Stock Product

Backed by our Unconditional Lifetime Warranty

[www.ctconline.com](http://www.ctconline.com) | [sales@ctconline.com](mailto:sales@ctconline.com) | 585-924-5900

# CMX2171



Emerson 2140 Compatible, 8 Pin Circular M12 Connector to BNC "E" Jack, 2' (61 cm) Straight Cable, Single Channel Voltage Input

VIBRATION ANALYSIS HARDWARE



## Specification

Jacket Material	Polyurethane
Cable Length	2 feet
Connectors	8 Pin Circular M12, BNC Jack
Input	Voltage Input
Cable Diameter	0.250"
Conductor Cable	2 conductor

## Compatible Data Collectors

CSI2140

## Ratings & Certifications

RoHS

Stock Product

Backed by our Unconditional Lifetime Warranty

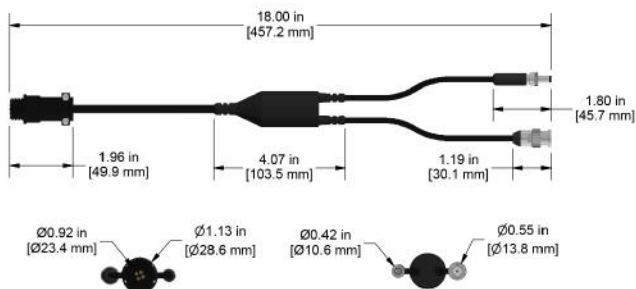
[www.ctconline.com](http://www.ctconline.com) | [sales@ctconline.com](mailto:sales@ctconline.com) | 585-924-5900

# CMX2202



VIBRATION ANALYSIS HARDWARE

Emerson 404A Photo Tachometer Compatible, 4 Socket AMP Adapter to Splitter with One BNC "F" Plug and One, 0.25" (0.64 cm) Power Adapter, 17" (43 cm) Overall Length



## Specification

Cable Length	17" (43 cm) $\pm$ 1" (2.5 cm)
Connectors	4 Socket AMP Adapter, 1 BNC "F" plug and 1, 1/4" power adapter

## Compatible Data Collectors

Emerson 404A

Built to Order

Backed by our Unconditional Lifetime Warranty

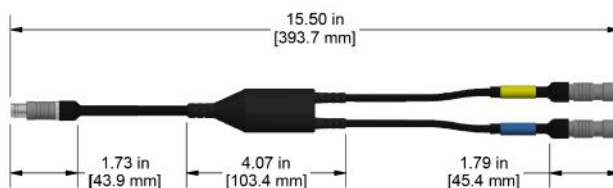
[www.ctconline.com](http://www.ctconline.com) | [sales@ctconline.com](mailto:sales@ctconline.com) | 585-924-5900

# CMX2205



VIBRATION ANALYSIS HARDWARE

Emerson 2130/2120 Compatible 25 Pin Adapter with Dual BNC Outputs, 17" (43 cm) Overall Length, Channel "A" Acceleration Output, Channel "B" Acceleration Output



## Specification

Cable Length	17" (43 cm) ±1" (2.5 cm)
Connectors	25 Pin Adapter, Dual BNC Outputs
Input	Acceleration IEPE Input

## Compatible Data Collectors

CSI 2120/2130

## Ratings & Certifications

RoHS

Built to Order

Backed by our Unconditional Lifetime Warranty

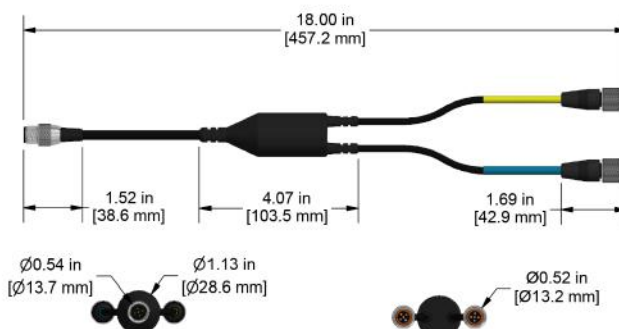
[www.ctconline.com](http://www.ctconline.com) | [sales@ctconline.com](mailto:sales@ctconline.com) | 585-924-5900

# CMX2251



VIBRATION ANALYSIS HARDWARE

Emerson 2130 Compatible, 2 Channel 5 Pin Molded M12 Connector to 2 Molded M12 Sockets Wired, 17" (43 cm) Overall Length, Dual Channel Acceleration Input, Channel A (Yellow) and Channel B (Blue)



## Specification

Cable Length	17" (43 cm) ±1" (2.5 cm)
Connectors	5 Pin Molded M12, Two molded M12 sockets Wired for Channel A (yellow) and Channel B (blue)
Input	Acceleration input only

## Compatible Data Collectors

CSI 2130 only

Built to Order

Backed by our Unconditional Lifetime Warranty

[www.ctconline.com](http://www.ctconline.com) | [sales@ctconline.com](mailto:sales@ctconline.com) | 585-924-5900

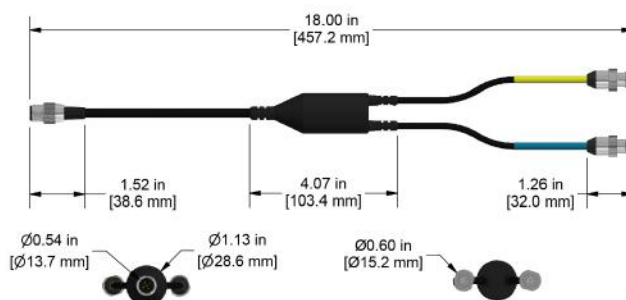


# CMX2252



VIBRATION ANALYSIS HARDWARE

Emerson 2130 Compatible, 5 Pin Molded M12 Connector to Dual BNC "E" Jacks, 17" (43 cm) Overall Length, Dual Channel Acceleration Input, Channel "A" Yellow, Channel "B" Blue



## Specification

Cable Length	17" (43 cm) ±1" (2.5 cm)
Connectors	5 Pin Molded M12, Two BNC "E" jacks wired for Channel A (yellow) and Channel B (blue)
Input	Acceleration input only

## Compatible Data Collectors

2130 only

Built to Order

Backed by our Unconditional Lifetime Warranty

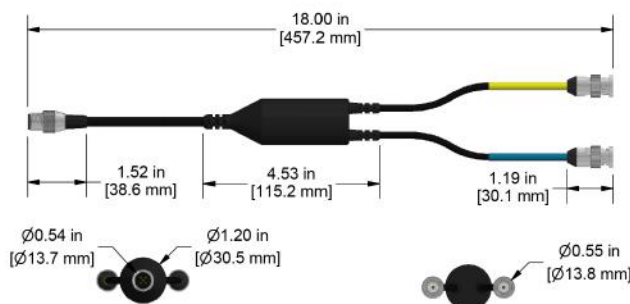
[www.ctconline.com](http://www.ctconline.com) | [sales@ctconline.com](mailto:sales@ctconline.com) | 585-924-5900

# CMX2253



VIBRATION ANALYSIS HARDWARE

Emerson 2130 Compatible, 5 Pin Molded M12 Connector to Dual BNC "F" Jacks, 17" (43 cm) Overall Length, Channel "A" Yellow, Channel "B" Blue, Dual Channel Acceleration Input



Specification	
Jacket Material	Black polyurethane
Cable Length	17" (43 cm) $\pm 1$ " (2.5 cm)
Connectors	5 Pin Molded M12, Two BNC "F" plugs Wired for Channel A (yellow) and Channel B (blue)
Input	Acceleration input only
Cable Diameter	0.250" OD
Conductor Cable	4 conductor

## Compatible Data Collectors

CSI 2130 only

Built to Order

Backed by our Unconditional Lifetime Warranty

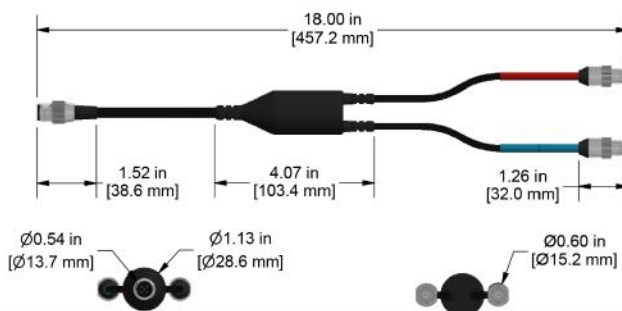
[www.ctconline.com](http://www.ctconline.com) | [sales@ctconline.com](mailto:sales@ctconline.com) | 585-924-5900

# CMX2261-E



VIBRATION ANALYSIS HARDWARE

Emerson 2140 Compatible, 5 Pin M12 Connector to Dual BNC "E" Jacks, 17" (43 cm) Overall Length, Dual Channel Acceleration Input, Channel "A" Red, Channel "B" Blue



## Specification

Jacket Material	Polyurethane
Cable Length	17" (43 cm) $\pm 1$ " (2.5 cm)
Connectors	5 Pin M12, Dual BNC Jacks
Input	Dual Acceleration IEPE
Cable Diameter	0.250"
Conductor Cable	4 conductor

## Compatible Data Collectors

CSI2140

Built to Order

Backed by our Unconditional Lifetime Warranty

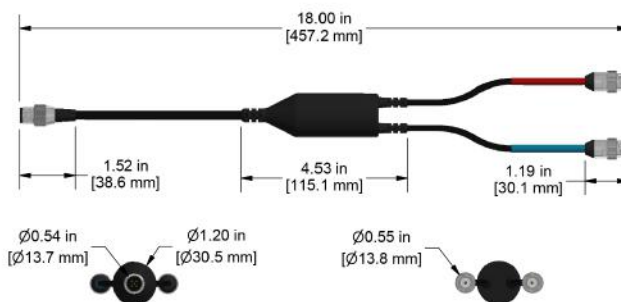
[www.ctconline.com](http://www.ctconline.com) | [sales@ctconline.com](mailto:sales@ctconline.com) | 585-924-5900

# CMX2261-F



VIBRATION ANALYSIS HARDWARE

Emerson 2140 Compatible, 5 Pin M12 Connector to Dual BNC "F" Plugs, 17" (43 cm) Overall Length, Dual Channel Acceleration Input, Channel "A" Red, Channel "B" Blue



## Specification

Jacket Material	Polyurethane
Cable Length	17" (43 cm) $\pm 1$ " (2.5 cm)
Connectors	5 Pin M12, Dual BNC Plugs
Input	Dual Acceleration IEPE
Cable Diameter	0.250"
Conductor Cable	4 conductor

## Compatible Data Collectors

CSI2140

## Ratings & Certifications

RoHS

Built to Order

Backed by our Unconditional Lifetime Warranty

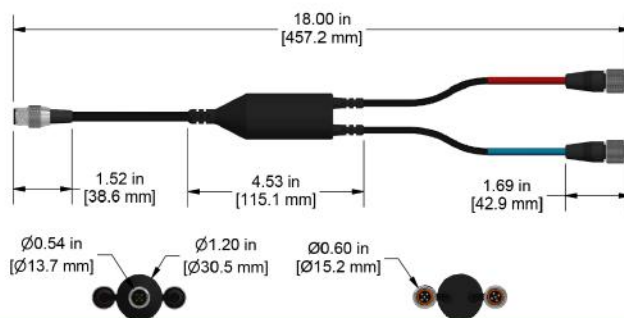
[www.ctconline.com](http://www.ctconline.com) | [sales@ctconline.com](mailto:sales@ctconline.com) | 585-924-5900

# CMX2261-T



VIBRATION ANALYSIS HARDWARE

Emerson 2140 Compatible, 5 Pin M12 Connector to Dual M12 Sockets, 18" (46 cm) Overall Length, Dual Channel Acceleration Input, Channel "A" Red, Channel "B" Blue



## Specification

Jacket Material	Polyurethane
Cable Length	17" (43 cm) ±1" (2.5 cm)
Connectors	5 Pin M12, Dual 5 Socket M12
Input	Dual Acceleration IEPE
Cable Diameter	0.250"
Conductor Cable	4 conductor

## Compatible Data Collectors

CSI2140

## Ratings & Certifications

RoHS

Built to Order

Backed by our Unconditional Lifetime Warranty

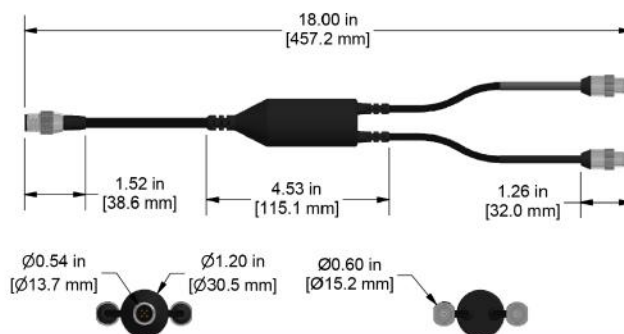
[www.ctconline.com](http://www.ctconline.com) | [sales@ctconline.com](mailto:sales@ctconline.com) | 585-924-5900

# CMX2262-E



VIBRATION ANALYSIS HARDWARE

Emerson 2140 Compatible, 5-pin M12 Connector to Dual BNC "E" Jacks, 17" (43 cm) Overall Length, Dual Channel Acceleration Input, Channel "C" Gray, Channel "D" Black



## Specification

Jacket Material	Polyurethane
Cable Length	17" (43 cm) $\pm 1$ " (2.5 cm)
Connectors	5 Pin M12, Dual BNC Jacks
Input	Dual Acceleration IEPE
Cable Diameter	0.250"
Conductor Cable	4 conductor

## Compatible Data Collectors

CSI2140

## Ratings & Certifications

RoHS

Built to Order

Backed by our Unconditional Lifetime Warranty

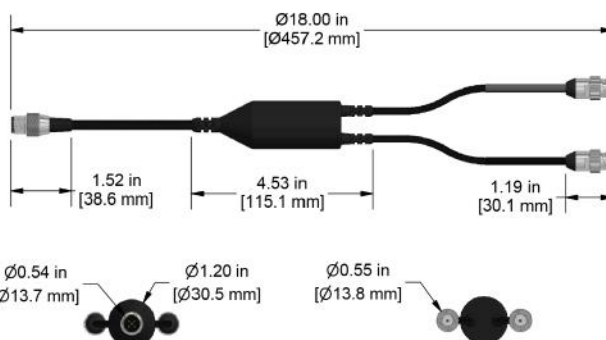
[www.ctconline.com](http://www.ctconline.com) | [sales@ctconline.com](mailto:sales@ctconline.com) | 585-924-5900

# CMX2262-F



VIBRATION ANALYSIS HARDWARE

Emerson 2140 Compatible, 5 Pin M12 Connector to Dual BNC "F" Plugs, 17" (43 cm) Overall Length, Dual Channel Acceleration Input, Channel "C" Gray, Channel "D" Black



## Specification

Jacket Material	Polyurethane
Cable Length	17" (43 cm) ±1" (2.5 cm)
Connectors	5 Pin M12, Dual BNC Plugs
Input	Dual Acceleration Input
Cable Diameter	0.250"
Conductor Cable	4 conductor

## Ratings & Certifications

RoHS

Built to Order

Backed by our Unconditional Lifetime Warranty

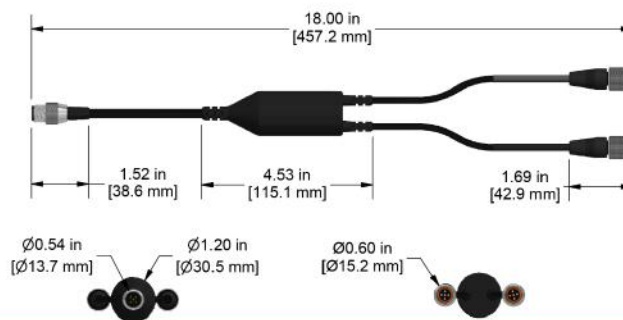
[www.ctconline.com](http://www.ctconline.com) | [sales@ctconline.com](mailto:sales@ctconline.com) | 585-924-5900

# CMX2262-T



VIBRATION ANALYSIS HARDWARE

Emerson 2140 Compatible, 5 Pin M12 Connector to Dual M12 Sockets, 17" (43 cm) Overall Length, Dual Channel Acceleration, Channel "C" Gray, Channel "D" Black



## Specification

Jacket Material	Polyurethane
Cable Length	17" (43 cm) $\pm 1$ " (2.5 cm)
Connectors	5 Pin M12, Dual 5 Socket M12s
Input	Dual Acceleration IEPE
Cable Diameter	0.250"
Conductor Cable	4 conductor

## Compatible Data Collectors

CSI2140

## Ratings & Certifications

RoHS

Built to Order

Backed by our Unconditional Lifetime Warranty

[www.ctconline.com](http://www.ctconline.com) | [sales@ctconline.com](mailto:sales@ctconline.com) | 585-924-5900

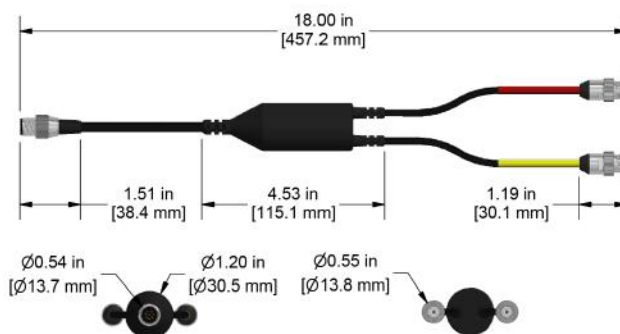


# CMX2272



VIBRATION ANALYSIS HARDWARE

Emerson 2140 Compatible, 8 Pin Circular M12 to Dual BNC  
Connectors for Voltage and Tachometer Input, 17" (43 cm) Overall  
Length, BNC "E" Jack for Voltage Input, BNC "F" Plug for Tachometer  
Input



## Specification

Jacket Material	Polyurethane
Cable Length	17" (43 cm) ±1" (2.5 cm)
Connectors	8 Pin Circular M12, Dual BNC Jacks
Input	Voltage and Tachometer Input
Cable Diameter	0.250"
Conductor Cable	4 conductor

## Compatible Data Collectors

CSI2140 w/ TTL Tach

## Ratings & Certifications



Built to Order

Backed by our Unconditional Lifetime Warranty

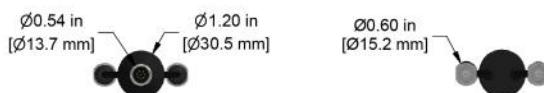
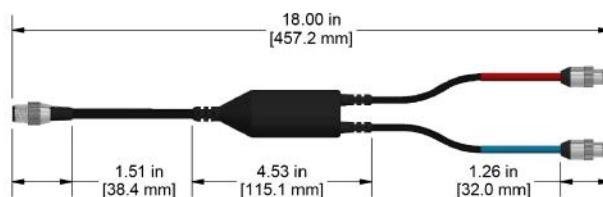
[www.ctconline.com](http://www.ctconline.com) | [sales@ctconline.com](mailto:sales@ctconline.com) | 585-924-5900

# CMX2273



VIBRATION ANALYSIS HARDWARE

Emerson 2140 Compatible, 8 Pin Circular M12 Adapter to Dual BNC "E" Jacks, 17" (43 cm) Overall Length, Channel "A" Red Voltage Input, Channel "B" Blue Voltage Input



## Specification

Jacket Material	Polyurethane
Cable Length	17" (43 cm) $\pm 1"$ (2.5 cm)
Connectors	8 Pin Circular M12, Dual BNC Jacks
Input	Dual Voltage Adapter
Cable Diameter	0.250"
Conductor Cable	4 conductor

## Compatible Data Collectors

CSI2140

## Ratings & Certifications

RoHS

Built to Order

Backed by our Unconditional Lifetime Warranty

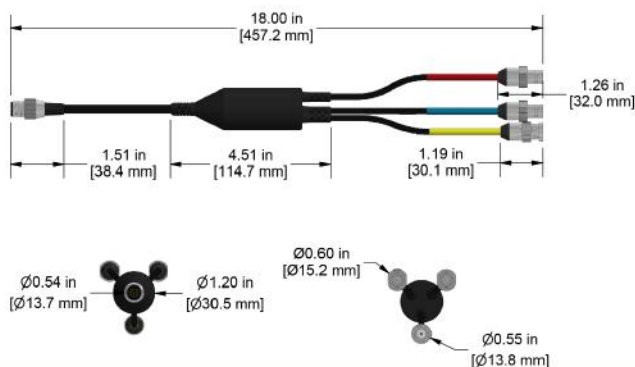
[www.ctconline.com](http://www.ctconline.com) | [sales@ctconline.com](mailto:sales@ctconline.com) | 585-924-5900

# CMX2274



VIBRATION ANALYSIS HARDWARE

Emerson 2140 Compatible, 8 Pin Circular M12 Connector to Dual BNC "E" Jacks and One BNC "F" Plug, 17" (43 cm) Overall Length, Channel "A" Red and Channel "B" Blue Voltage Inputs, Channel "C" Yellow Tachometer Input



## Specification

Jacket Material	Polyurethane
Cable Length	17" (43 cm) ±1" (2.5 cm)
Connectors	8 Pin Circular M12, Dual BNC Jacks
Input	Dual Voltage Input
Cable Diameter	0.250"
Conductor Cable	4 conductor

## Compatible Data Collectors

CSI2140

Built to Order

Backed by our Unconditional Lifetime Warranty

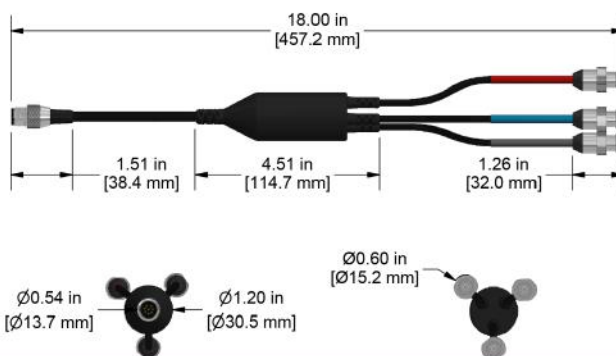
[www.ctconline.com](http://www.ctconline.com) | [sales@ctconline.com](mailto:sales@ctconline.com) | 585-924-5900

# CMX2275



VIBRATION ANALYSIS HARDWARE

Emerson 2140 Compatible, 8 Pin Circular M12 Connector to Three BNC "E" Jacks, 17" (43 cm) Overall Length, Three Channel Voltage Input



## Specification

Jacket Material	Polyurethane
Cable Length	17" (43 cm) ±1" (2.5 cm)
Connectors	8 Pin Circular M12, Three BNC Jacks
Input	Voltage Input
Cable Diameter	0.250"
Conductor Cable	4 conductor

## Compatible Data Collectors

CSI2140

## Ratings & Certifications

RoHS

Built to Order

Backed by our Unconditional Lifetime Warranty

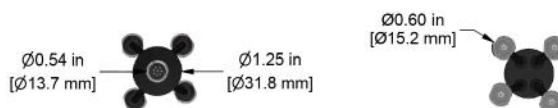
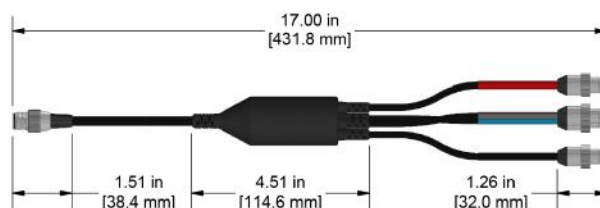
[www.ctconline.com](http://www.ctconline.com) | [sales@ctconline.com](mailto:sales@ctconline.com) | 585-924-5900

# CMX2277



VIBRATION ANALYSIS HARDWARE

Emerson 2140 Compatible, 8 Pin Circular M12 Connector to Four BNC "E" Jacks, 17" (431.8 mm) Overall Length, Four Channel Voltage Input



## Specification

Jacket Material	Polyurethane
Cable Length	17" (431.8 mm) $\pm 1$ " (25.4 mm)
Connectors	8 Pin Circular M12, Four BNC Jacks
Input	Voltage Input
Cable Diameter	0.250"
Conductor Cable	4 conductor

## Compatible Data Collectors

CSI2140

## Ratings & Certifications

RoHS

Built to Order

Backed by our Unconditional Lifetime Warranty

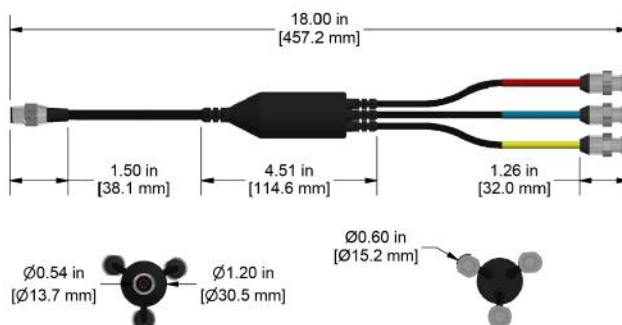
[www.ctconline.com](http://www.ctconline.com) | [sales@ctconline.com](mailto:sales@ctconline.com) | 585-924-5900

# CMX2278



VIBRATION ANALYSIS HARDWARE

Emerson 2140 Compatible, 8 Pin Circular M12 Connector to Three BNC "E" Jacks, 17" (43 cm) Overall Length, Three Channel Voltage Input



## Specification

Jacket Material	Polyurethane
Cable Length	17" (43 cm) ±1" (2.5 cm)
Connectors	8 Pin Circular M12, Three BNC Jacks
Input	Voltage Input
Cable Diameter	0.250"
Conductor Cable	4 Conductor

## Compatible Data Collectors

CSI2140

## Ratings & Certifications

RoHS

Built to Order

Backed by our Unconditional Lifetime Warranty

[www.ctconline.com](http://www.ctconline.com) | [sales@ctconline.com](mailto:sales@ctconline.com) | 585-924-5900