

MMX-MOD3

MAXX Box Module

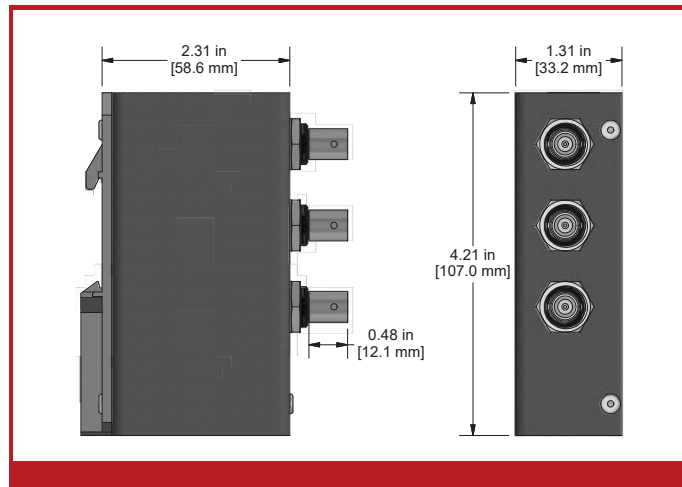


Product Features

Buy the modules you need now, add more in the future

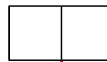
Detachable plugs for easy cable installation

Modular style enables easy DIN rail mount



Ordering Information

MMX-MOD3 -



Optional Output

Blank = None

CO = Continuous Output Option

Backed by our Unconditional Lifetime Warranty

www.ctonline.com | sales@ctonline.com | 585-924-5900

MMX1000



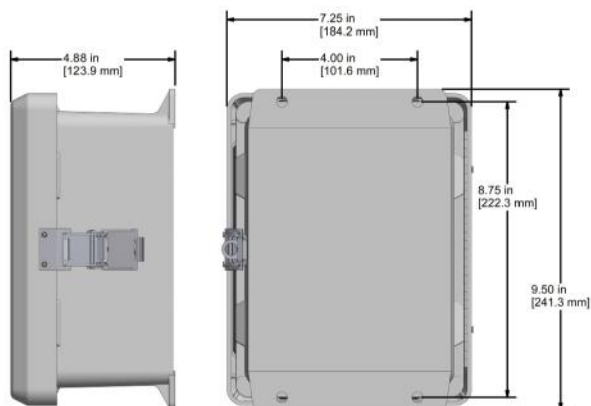
VIBRATION ANALYSIS HARDWARE

Single Axis Modular MAXX Box, Fiberglass Enclosure, NEMA 4X (IP66) Rated, Includes up to 4 MMX-MOD3 Modular BNC Connection Modules for 3 to 12 Single Output Sensors



Product Features

- Provides a safe, centralized data collection point
- Internally earth grounded for noise reduction
- Connects up to 12 remotely installed sensors to portable data collectors, providing a safe data collection point for up to 12 measurement channels
- Buy the modules you need now, add more in the future
- Switch provided to tie common (-) signals for dual or triaxial sensors



Specifications

Temperature Range	-58° to 180°F (-58 to 82°C)
Enclosure Material	Fiberglass
Inputs	Terminal Block 3 Inputs per Channel (±Shield)
Outputs	BNC Jack Per Channel
Sensor Input Options	3 - 12 Channels
Rating	NEMA 4X (IP66)
Door Closure	Twist Latch
Dimensions	7.25 x 9.50 x 4.88 in (184 x 241 x 124 mm)
Resistance	Resistant to Hose Directed Fluid and Corrosion

Ordering Information

MMX -

Enclosure Type	Channels	Input Options
1000 - Fiberglass Enclosure	3 - 3 Channels 6 - 6 Channels 9 - 9 Channels 12 - 12 Channels	A - User Defined* B - Conduit Fitting** C - Cord Grips

*No punch outs are provided in the enclosure for cable entry. User may install any fitting required.
**For use with conduit.

Backed by our Unconditional Lifetime Warranty

www.ctconline.com | sales@ctconline.com | 585-924-5900

MMX6000



VIBRATION ANALYSIS HARDWARE

Single Axis, Sloped Top, Modular MAXX Box, Stainless Steel Enclosure, NEMA 4X (IP66) Rated, Includes up to 4 MMX-MOD3 Modular BNC Connection Modules for 3 to 12 Single Output Sensors

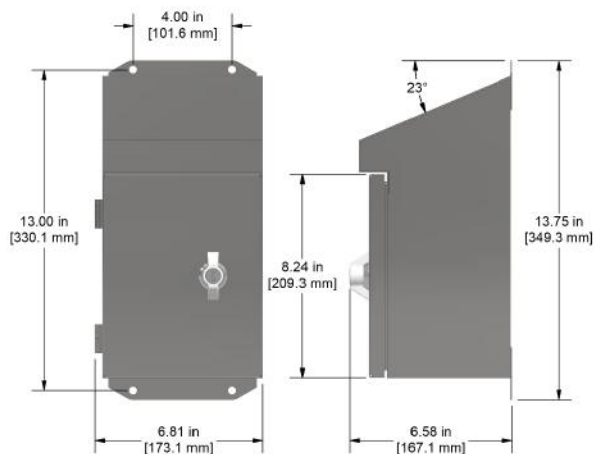


Product Features

Safe, centralized data collection point, with a sloped top to prevent dirt and dust build-up. Modular units can easily be installed or removed with the Quick-Release DIN rail clip

Internally earth grounded for noise reduction

- ▶ Connects up to 12 remotely installed sensors to portable data collectors, providing a safe data collection point for up to 12 measurement channels
- ▶ Buy the modules you need now, add more in the future
- ▶ Switch provided to tie common (-) signals for dual or triaxial sensors



Specifications

Temperature Range	-58° to 180°F (-50° to 82°C)
Enclosure Material	Stainless Steel
Inputs	Terminal Block 3 Inputs per Channel (+ - Shield)
Outputs	BNC Jack Per Channel, Electrically Isolated
Rating	NEMA 4X
Door Closure	Twist Lock
Dimensions	6.24 x 13.75 x 6.12 in (159 x 349 x 155 mm)
Resistance	Resistant to Hose Directed Fluid and Corrosion

Ordering Information

MMX



Enclosure Type	Channels	Input Options
2000 = Stainless Steel Enclosure 6000 = Stainless Steel Enclosure with Sloped Top	3 = 3 Channels 6 = 6 Channels 9 = 9 Channels 12 = 12 Channels	A = User Defined* B = Conduit Fitting** C = Cord Grips N = Brass Cord Grips S = Stainless Steel Cord Grips†

*No punch cuts are provided in the enclosure for cable entry. User may install any fittings required.
 **For use with conduit.
 †Stainless Steel enclosures only.

Backed by our Unconditional Lifetime Warranty

www.ctconline.com | sales@ctconline.com | 585-924-5900

MX102



VIBRATION ANALYSIS HARDWARE

Single Axis MAXX Box, Enclosed Individual BNC Connectors, Fiberglass Enclosure, NEMA 4X (IP66) Rated, Sensor Input Options: 1 to 12 Single Output Sensors

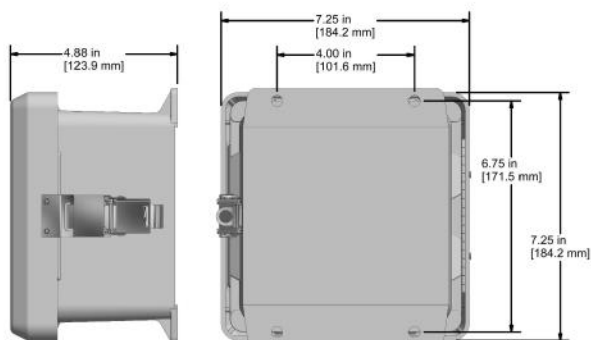


Product Features

Connects remotely installed sensors to portable data collectors

Internally earth grounded for noise reduction

- ▶ Up to 12 BNC outputs are mounted in one, safe and convenient location for quick access
- ▶ Withstands harsh factory and outdoor environments
- ▶ Quick-release input terminal blocks



Specifications

Temperature Range	-58°F (-50°C) to 180°F (82°C)
Enclosure Material	Fiberglass
Inputs	Terminal Block 3 Inputs per Channel (+, -, Shield)
Outputs	BNC Jack per Channel, Electrically Isolated
Sensor Input Options	1 - 12 Channel Options
Rating	NEMA 4X (IP66)
Door Closure	Snap Latch
Dimensions	7.25 x 7.25 x 4.88 in (184 x 184 x 124 mm)
Cord Grips	Optional
Resistance	Resistant to Hose Directed Fluid and Corrosion

Ordering Information

MX -

Enclosure Type	Channels	Input Options
102 - Fiberglass Enclosure 202 - Stainless Steel Enclosure	1 - 1 Channels 7 - 7 Channels 2 - 2 Channels 8 - 8 Channels 3 - 3 Channels 9 - 9 Channels 4 - 4 Channels 10 - 10 Channels 5 - 5 Channels 11 - 11 Channels 6 - 6 Channels 12 - 12 Channels	A - User Defined* B - Conduit Fitting** C - Cord Grip S - Stainless Steel Cord Grips†

*No punch outs are provided in the enclosure for cable entry. User may install any fitting required.
**For use with conduit.
†Stainless steel enclosure only.

Backed by our Unconditional Lifetime Warranty

www.ctconline.com | sales@ctconline.com | 585-924-5900

MX262



VIBRATION ANALYSIS HARDWARE

Stainless Steel MAXX Boxes with Sloped Top, Enclosed Individual BNC Connectors, Stainless Steel Enclosure, NEMA 4X (IP66) Rated, Sensor Input Options: 1 to 12 Single Output Sensors

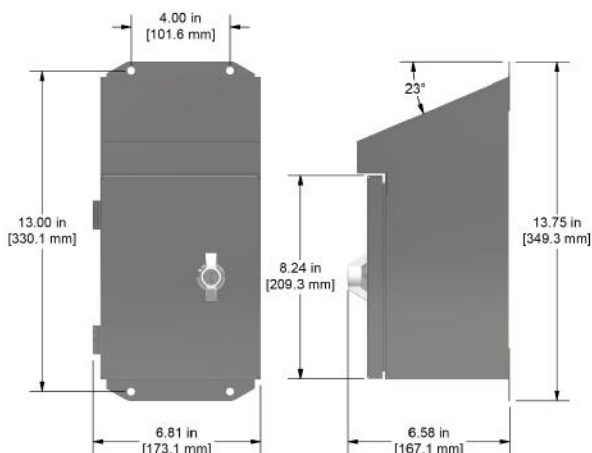


Product Features

Collect data from 12 remotely installed accelerometers in one safe and convenient location

Internally earth grounded for noise reduction

- ▶ Up to 12 BNC outputs are mounted in one, safe and convenient location for quick access
- ▶ Withstands harsh factory and outdoor environments



Specifications

Temperature Range	58° to 180°F (-50° to 82°C)
Enclosure Material	Stainless Steel
Inputs	Terminal Block 3 Inputs per Channel (+ - Shield)
Outputs	BNC Jack Per Channel, Electrically Isolated
Sensor Input Options	1 - 12 Channels
Rating	NEMA 4X
Door Closure	Twist Lock
Dimensions	6.24 x 13.75 x 6.12 in (159 x 349 x 155 mm)
Resistance	Resistant to Hose Directed Fluid and Corrosion

Ordering Information

MX262 -

Enclosure Type	Channels	Input Options
Stainless Steel Enclosure with Sloped Top	1 - 1 Channel 7 - 7 Channels 2 - 2 Channels 8 - 8 Channels 3 - 3 Channels 9 - 9 Channels 4 - 4 Channels 10 - 10 Channels 5 - 5 Channels 11 - 11 Channels 6 - 6 Channels 12 - 12 Channels	A - User Defined* B - Conduit Fitting** C - Cord Grips

*No punch outs are provided in the enclosure for cable entry. User may install any fitting required.
 **For use with conduit.

Backed by our Unconditional Lifetime Warranty

www.ctconline.com | sales@ctconline.com | 585-924-5900

MX333 Extended Capacity



VIBRATION ANALYSIS HARDWARE

Triaxial Input & Output Maxx Box, Enclosed Individual 4 Pin Azima DLI Compatible Connectors, Fiberglass Enclosure, NEMA 4X (IP66) Rated, Sensor Input Options: 8 to 16 Triaxial Output Sensors

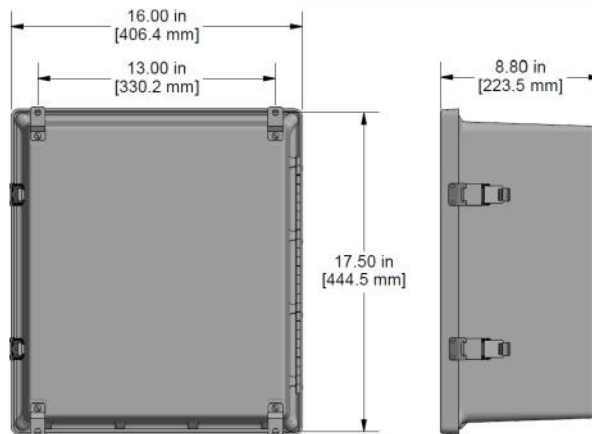


Product Features

Designed for Triaxial Data Collection

Internally earth grounded for noise reduction

- ▶ Provides 16 Triaxial connections for Azima DLI DCA/DCX Data Collection for up to 48 Measurement Channels. Compatible with C592, C540, and C342 Connectors
- ▶ Connects remotely installed sensors to Azima DLI Data Collectors
- ▶ Quick-release input terminal block located behind hinged panel



Specifications

Temperature Range	-58°F to 180°F (-50°C to 82°C)
Enclosure Material	Fiberglass
Inputs	Terminal Blocks 5 Inputs (+,+,+,-, Shield)
Outputs	4 Pin Quick Lock Connector
Sensor Input Options	24 to 48 Channels
Rating	NEMA 4X (IP66)
Door Closure	Snap Latch
Dimensions	16.00 x 17.50 x 8.80 in (406 x 445 x 224 mm)
Cord Grips	Optional
Switch	Snap Latch
Resistance	Resistant to Hose Directed Fluid and Corrosion

Backed by our Unconditional Lifetime Warranty

www.ctconline.com | sales@ctconline.com | 585-924-5900

MX333 Standard Size



VIBRATION ANALYSIS HARDWARE

Triaxial Input & Output Maxx Box, Enclosed Individual 4 Pin Azima DLI Compatible Connectors, Fiberglass Enclosure, NEMA 4X (IP66) Rated, Sensor Input Options: 4 Triaxial Output Sensors

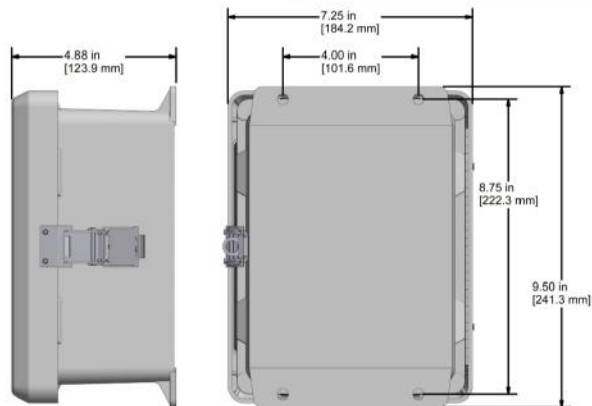


Product Features

Designed for Triaxial Data Collection

Internally earth grounded for noise reduction

- ▶ Provides 4 Triaxial connections for Azima DLI DCA/DCX Data Collection for up to 12 measurement channels. Compatible with C592, C540, and C342 Connectors
- ▶ Connects remotely installed sensors to Azima DLI Data Collectors
- ▶ Quick-release input terminal block located behind hinged panel



Specifications

Temperature Range	-58°F to 180°F (-50°C to 82°C)
Enclosure Material	Fiberglass
Inputs	Terminal Blocks 5 Inputs (+,+,+,-, Shield)
Outputs	4 Pin Quick Lock Connector
Sensor Input Options	12 Channels
Rating	NEMA 4X (IP66)
Door Closure	Snap Latch
Dimensions	7.25 x 9.50 x 4.88 in (184 x 241 x 124 mm)
Cord Grips	Optional
Resistance	Resistant to Hose Directed Fluid and Corrosion

Backed by our Unconditional Lifetime Warranty

www.ctconline.com | sales@ctconline.com | 585-924-5900

MX502



VIBRATION ANALYSIS HARDWARE

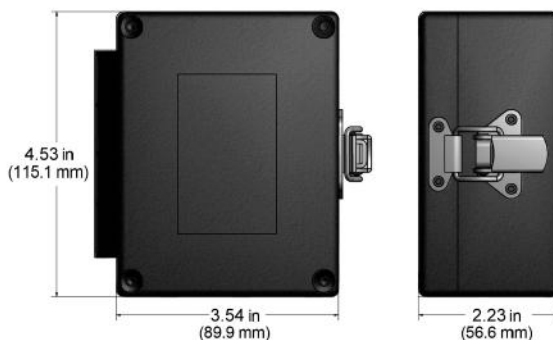
Single Axis Mini-MAXX Box, Enclosed Individual BNC Connectors, Aluminum Enclosure, NEMA 4X (IP66) Rated, Sensor Input Options: 1 to 4 Single Output Sensors

Product Features

Provides a low cost solution that is ideal for harsh environments, including cooling towers and other wet or dusty environments

Internally earth grounded for noise reduction

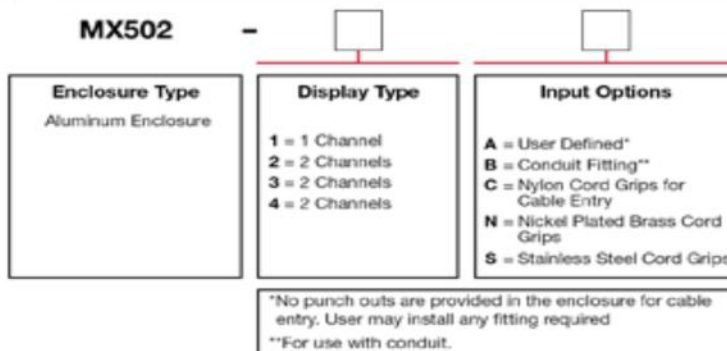
- ▶ 316L stainless steel latch and mounting feet
- ▶ Terminal strip located behind BNC panel for easy wiring with grounding



Specifications

Temperature Range	-58°F (-50°C) to 180°F (82°C)
Enclosure Material	Powder Coated Aluminum
Inputs	Conduit or Cord Grips
Outputs	BNC Jack per Channel, Electrically Isolated
Sensor Input Options	1, 2, 3, and 4 Channel Options
Rating	NEMA 4X
Door Closure	Flip Latch
Dimensions	3.54 x 4.53 x 2.23 in (90 x 115 x 57 mm)
Cord Grips	Optional
Resistance	Resistant to Hose Directed Fluid and Corrosion

Ordering Information



Backed by our Unconditional Lifetime Warranty

www.ctconline.com | sales@ctconline.com | 585-924-5900

MX503



VIBRATION ANALYSIS HARDWARE

Triaxial Input & Output Mini-MAXX Box, DLI Compatible 4 Pin Quick Lock Connectors, Aluminum Enclosure, NEMA 4X (IP66) Rated, Sensor Input Options: 1 to 2 Triaxial Output Sensors

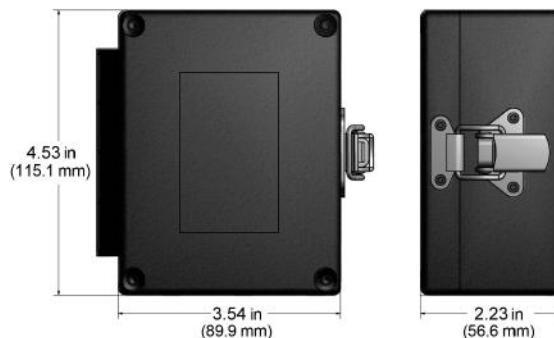


Product Features

Provides a low cost solution that is ideal for harsh environments, including cooling towers and other wet or dusty environments

Internally earth grounded for noise reduction

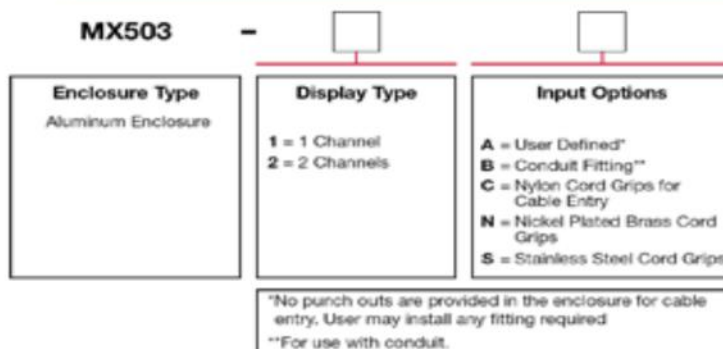
- ▶ Provides 2 Triaxial connections for Azima DLI DCA/DCX Data Collection for up to 6 Measurement Channels.
- ▶ Compatible with CTC C592, C540, and C342 Connectors. Data collector cables for interface with this enclosure can be built using CTC's Cable Wizard.
- ▶ Terminal strip located behind connector panel for easy wiring with grounding



Specifications

Temperature Range	-58°F to 180°F (-50°C to 82°C)
Enclosure Material	Powder Coated Aluminum
Inputs	Conduit or Cord Grips Terminal Strip
Outputs	4 Pin Quick Lock Connector
Sensor Input Options	1 - 2 Channels
Rating	NEMA 4X (IP66)
Door Closure	316 stainless Steel Snap Latch
Dimensions	3.54 x 4.56 x 2.23 in (90 x 115 x 57 mm)
Resistance	Resistant to Hose Directed Fluid and Corrosion

Ordering Information



Backed by our Unconditional Lifetime Warranty

www.ctconline.com | sales@ctconline.com | 585-924-5900

MX504



VIBRATION ANALYSIS HARDWARE

Triaxial Input & Output Mini-MAXX Box, CTC 4 Pin Mini-MIL Connector Compatible, Aluminum Enclosure, NEMA 4X (IP66) Rated, Sensor Input Options: 1 or 2 Triaxial Output Sensors

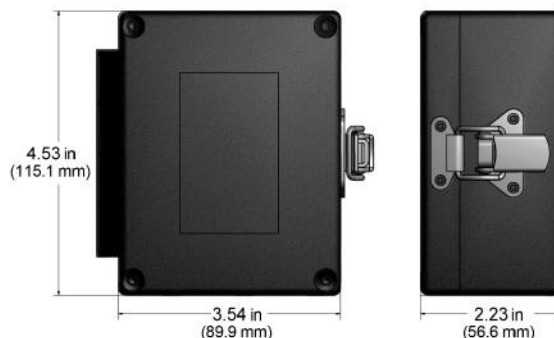


Product Features

Provides a low cost solution that is ideal for harsh environments, including cooling towers and other wet or dusty environments

Internally earth grounded for noise reduction

- ▶ 316 Stainless Steel latch and mounting feet resist corrosion in harsh environments
- ▶ Compatible with CTC's J4C Connector. DData collector cables for interface with this enclosure can be built using CTC's Cable Wizard.
- ▶ Terminal strip located behind connector panel for easy wiring with grounding



Specifications

Temperature Range	-58°F to 180°F (-50°C to 82°C)
Enclosure Material	Powder Coated Aluminum
Inputs	Conduit or Cord Grips Terminal Strip
Outputs	4 Pin J4 series Connector
Sensor Input Options	1 - 2 Channels
Rating	NEMA 4X
Door Closure	316 Stainless Steel Snap Latch
Dimensions	3.54 x 4.56 x 2.23 in (90 x 115 x 57 mm)
Cord Grips	Optional
Resistance	Resistant to Hose Directed Fluid and Corrosion

Ordering Information

MX504 -

<p>Enclosure Type Aluminum Enclosure</p>	<p>Display Type 1 = 1 Channel 2 = 2 Channels</p>	<p>Input Options A = User Defined* B = Conduit Fitting** C = Nylon Cord Grips for Cable Entry N = Nickel Plated Brass Cord Grips S = Stainless Steel Cord Grips</p>
---	---	--

*No punch outs are provided in the enclosure for cable entry. User may install any fitting required
**For use with conduit.

Backed by our Unconditional Lifetime Warranty

www.ctconline.com | sales@ctconline.com | 585-924-5900

MX505



VIBRATION ANALYSIS HARDWARE

Triaxial Input & Output Mini-MAXX Box, M12 Style Connector
 Compatible, Aluminum Enclosure, NEMA 4X (IP66) Rated, Sensor
 Input Options: 1 or 2 Triaxial Output Sensors

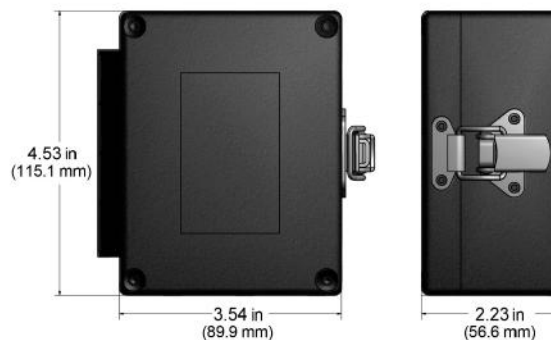


Product Features

Provides a low cost solution that is ideal for harsh environments, including cooling towers and other wet or dusty environments

Internally earth grounded for noise reduction

- ▶ 316 Stainless Steel latch and mounting feet resist corrosion in harsh environments
- ▶ Compatible with CTC's M4C Connector. Data collector cables for interface with this enclosure can be built using CTC's Cable Wizard.
- ▶ Terminal strip located behind connector panel for easy wiring with grounding



Specifications

Temperature Range	-58°F to 180°F (-50°C to 82°C)
Enclosure Material	Powder Coated Aluminum
Inputs	Conduit or Cord Grips Terminal Strips
Outputs	4 Pin M12 Connectors
Sensor Input Options	1 - 2 Channels
Rating	NEMA 4X (IP66)
Door Closure	316 Stainless Steel Snap Latch
Dimensions	3.54 x 4.56 x 2.23 in (90 x 115 x 57 mm)
Cord Grips	Optional
Resistance	Resistant to Hose Directed Fluid and Corrosion

Ordering Information

MX505 -

Enclosure Type Aluminum Enclosure	Display Type 1 = 1 Channel 2 = 2 Channels	Input Options A = User Defined* B = Conduit Fitting** C = Nylon Cord Grips for Cable Entry N = Nickel Plated Brass Cord Grips S = Stainless Steel Cord Grips
---	--	--

*No punch outs are provided in the enclosure for cable entry. User may install any fitting required
 **For use with conduit.

Backed by our Unconditional Lifetime Warranty

www.ctconline.com | sales@ctconline.com | 585-924-5900

MX542



Dual Input & Output Mini-MAXX Box, Aluminum Enclosure, NEMA 4X (IP66) Rated, Sensor Input Options: 1 or 2 Dual Output Sensors

VIBRATION ANALYSIS HARDWARE

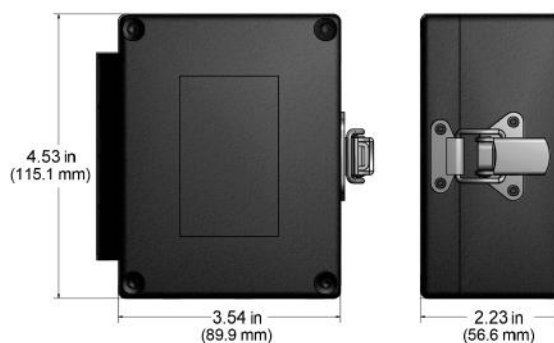


Product Features

Provides a low cost solution that is ideal for harsh environments, including cooling towers and other wet or dusty environments

Internally earth grounded for noise reduction

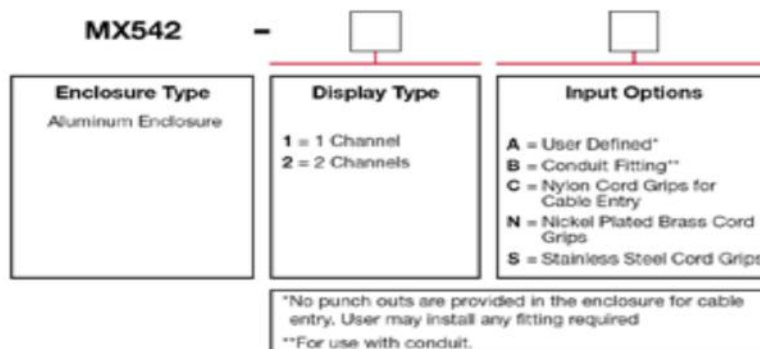
- ▶ 316 Stainless Steel latch and mounting feet resist corrosion in harsh environments
- ▶ Terminal strip located behind BNC panel for easy wiring with grounding



Specifications

Temperature Range	-58°F (-50°C) to 180°F (82°C)
Enclosure Material	Powder Coated Aluminum
Inputs	Terminal Block 4 Inputs per Channel (A, B, C, GND)
Outputs	2 BNC Jacks per Channel, Electrically Isolated
Sensor Input Options	1, 2 Channel Options
Rating	NEMA 4X (IP66)
Door Closure	Flip Latch
Dimensions	3.54 x 4.53 x 2.23 in (90 x 115 x 57 mm)
Cord Grips	Optional
Resistance	Resistant to Hose Directed Fluid and Corrosion

Ordering Information



Backed by our Unconditional Lifetime Warranty

www.ctconline.com | sales@ctconline.com | 585-924-5900