



DP1009 FFv™ 5 mm Proximity Probe Assembly Product Manual

TABLE OF CONTENTS

- Introduction.....3
- Product Description.....3
- Proximity Probe Specifications4
- Proximity Probe Extension Cable Specifications7
- Proximity Probe Driver Specifications8
- Installation 10
 - Electrical Connections 12
 - Target Surfaces 14
 - Setup and Adjustment..... 14
- Operation..... 14
- Troubleshooting..... 15
- Maintenance 15
- Warranty & Return Information 15



INTRODUCTION

This document contains information on the operation, installation and maintenance of the DP1009 / DC1009 / DD1009 series of FFv™ 5 mm proximity probe products.

FFv™ Proximity Probe Series Overview

The DP1009 / DC1009 / DD1009 series proximity probe products utilize an eddy current that produces a negative voltage that is directly proportional to the “gap” distance between the probe and measured surface. The assembly consists of a proximity probe, extension cable and driver. The driver is a three- or four-wire device with connections for power, common, and signal output. The driver is intended for use with a DC negative voltage power supply.



PROXIMITY PROBE SPECIFICATIONS

PRO Model: DP1009 Series

Environmental

Temperature Range: -31°F (-35°C) to 350°F (177°C)
Humidity Range: 0 - 95% relative, non-condensing
Pressure Rating: Probe tip is designed to withstand a pressure difference from machine to ambient via a Viton® O-ring. If pressure testing is required contact CTC.

Electrical

* Note: All specifications acquired through use of a AISI 4140 steel target, 0.5 in. diameter.

Linear Range

Calibrated Linear Range: 10 - 70 mils (0.25 mm - 1.75 mm)
Nominal Output: -1 to -13V_{DC}
Nominal Sensitivity: -200 mV/mil (-7.87 V/mm)

Incremental Scale Factor (ISF)

* Note: When measured over calibrated linear range in increments of 10 mils

32°F (0°C) - 113°F (45°C)

5 Meter System -200 mV/mil (-7.87 V/mm) +12.5% / -20%
7 Meter System -200 mV/mil (-7.87 V/mm) +12.5% / -20%

-31°F (-35°C) - 248°F (120°C)

5 Meter System -200 mV/mil (-7.87 V/mm) +12.5% / -20%
7 Meter System -200 mV/mil (-7.87 V/mm) +12.5% / -20%

Deviation from best fit Straight Line (DSL)

* Note: When measured over calibrated linear range in increments of 10 mils

32°F (0°C) - 113°F (45°C)

5 Meter System ±2.3 mil
7 Meter System ±2.3 mil

-31°F (-35°C) - 248°F (120°C)

5 Meter System ±3.0 mil
7 Meter System ±6.0 mil



Physical

Materials

5 mm Tip: 40% glass-filled PPS (Polyphenylene Sulfide)
Threaded Case: 316L stainless steel
Connector Material: 12-32 threaded gold-plated brass with Teflon® insulators

Weight

Probe: 49 g (0.1 lb) maximum

Cabling

Coaxial Cable: FEP (Flourinated Ethylene Propylene)
Cable Lengths: 0.5, 1.0, 5.0, 7.0 meters

*** All probes have length tolerance of (+30% / -0%)**

Mounting Hardware

1/4-28 Standard Case: 7/32 in. wrench flats at rear of probe
2x 7/16 in. hex nuts for mounting

M8x1 Standard Case: 7 mm wrench flats at rear of probe
2x 13 mm hex nuts for mounting

3/8-24 Reverse Mount: Integrated 7/16 in. wrench flats at front of probe body

M10x1 Reverse Mount: Integrated 11 mm wrench flats at front of probe body

1/4-28 Reverse Mount: Integrated 7/16 in. wrench flats at front of probe body

M8x1 Reverse Mount: Integrated 11 mm wrench flats at front of probe body



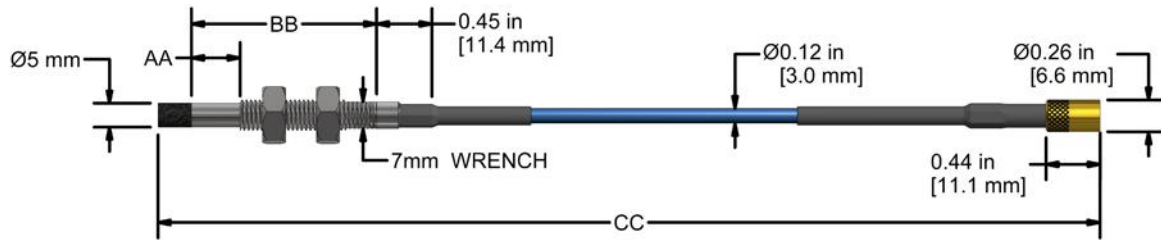


Figure 1. FFv™ 5mm Standard Mount Proximity Probe

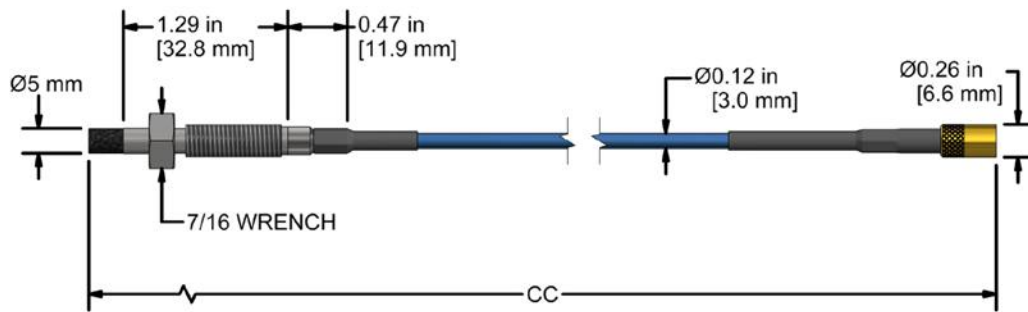


Figure 2. FFv™ 5mm Reverse Mount Proximity Probe

PROXIMITY PROBE EXTENSION CABLE SPECIFICATIONS

PRO Model: DC100930 Series

Environmental

Temperature Range: -31°F (-35°C) - 350°F (177°C)

Humidity Range: 0 - 95% relative, non-condensing

Physical

Materials

Coaxial Cable: FEP (Fluorinated Ethylene Propylene)

Connector Material: 12-32 threaded gold-plated brass with Teflon® insulators

Weight

Cable: 1 kg (2.2 lb) maximum

Dimensions

Cable Lengths: 4.0, 4.5, 6.0, 6.5 meters nominal

* All cables have length tolerance of (-0% / +30%)

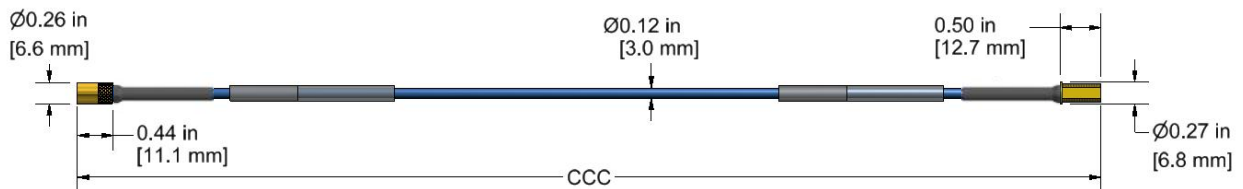


Figure 3. FFv™ 5 mm Proximity Probe Extension Cable

PROXIMITY PROBE DRIVER SPECIFICATIONS

PRO Model: DD1009 Series

Environmental

Temperature Range: -31°F (-35°C) - 185°F (85°C)
Humidity Range: 0 - 95% relative, non-condensing

Electrical

* Note: All specifications acquired through use of a AISI 4140 steel target, 1 in. diameter

Linear Range

Calibrated Linear Range: 10 - 70 mils (0.25 mm - 2.30 mm)
Nominal Output: -1 to -13V_{DC}
Nominal Sensitivity: -200 mV/mil (-7.87 V/mm)
Resolution: 0.5 microns

Incremental Scale Factor (ISF)

* Note: When measured over calibrated linear range in increments of 10 mils

32°F (0°C) - 113°F (45°C)
5 Meter System -200 mV/mil (-7.87 V/mm) +12.5% / -20%
7 Meter System -200 mV/mil (-7.87 V/mm) +12.5% / -20%

-31°F (0°C) - 185°F (85°C)
5 Meter System -200 mV/mil (-7.87 V/mm) +12.5% / -20%
7 Meter System -200 mV/mil (-7.87 V/mm) +12.5% / -20%

Deviation from best fit Straight Line (DSL)

* Note: When measured over calibrated linear range in increments of 10 mils

32°F (0°C) - 113°F (45°C)
5 Meter System ±2.3 mil
7 Meter System ±2.3 mil

-31°F (0°C) - 185°F (85°C)
5 Meter System ±2.3 mil
7 Meter System ±2.3 mil

Frequency Response

0 - 10 kHz (+0, -3 dB)

* Note: Frequency Response range valid with up to 1000 ft of field wiring



Operating Power

Input Voltage: -17.5 to -30V_{DC}
Power Consumption: 0.81W maximum

* Note: The driver is protected against reversed polarity.

Isolation

Case Isolation: Isolation from all connections

Physical

Materials

Case: Anodized/powder coated aluminum
Panel/DIN Mount Hardware: Anodized/powder coated aluminum
Prox Connector: 12-32 threaded gold-plated brass with Teflon® insulators
BNC Connector: Polyester housing, gold-plated center contact, polymethylpentene dielectric, zinc or nickel plated shell
Terminal Block: Polyamide

Weight

Driver: 0.24 kg (0.53 lb) maximum

Mounting

DIN Rail: 35 mm standard DIN rail
Panel: 2.0 in. x 2.0 in. panel mount hole pattern

* Note: Mounting screws not included

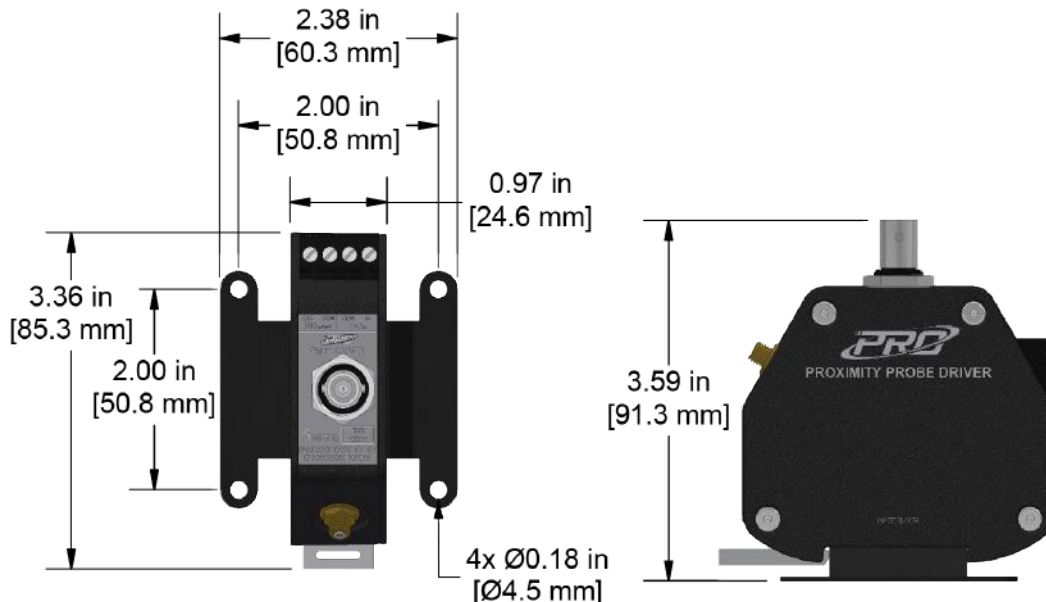


Figure 4. FFv™ 5 mm Proximity Probe Driver

INSTALLATION INFORMATION

For most applications, the driver is recommended to be mounted in a protective housing. More than one driver may share a single housing/enclosure to simplify installation. CTC offers an extensive line of probe driver enclosures in the PXE series. The drivers are typically DIN rail mounted in the enclosure. Connection to the probe is established when the integral cabling of a proximity probe or an extension cable is attached to the driver's probe connector. Excess proximity probe cabling should be coiled up inside the housing/enclosure. **Do not cut any cable in a probe system. Doing so will affect system accuracy.**

Note: Only PRO DP series and DC series proximity products should be used for the PRO DD series drivers.

All connector connections should be tight and secure. Snug the connector screw collar, applying 5 in.-lbs (0.6 N-m) of torque.

Note: Do not overtighten the probe cable connection. Too much torque may cause damage. Do not exceed a torque of 8 in.-lbs (0.9 N-m). Probe connectors must not touch any machine metal parts. Take proper steps to isolate connectors from metal surfaces. Connector protectors are available upon request.

Probes are provided with a threaded stainless steel case. These can be mounted directly through the machine housing via a threaded hole. When installing this way, give the proper clearance of 1.5 times the tip diameter around the probe tip (e.g., 1.5 x 5 mm tip diameter = 8 mm clearance). Refer to the figure below.

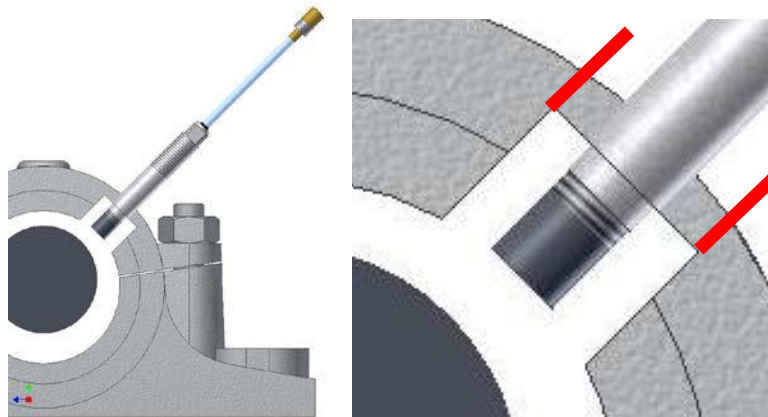


Figure 5. Probe Tip Clearance

Standard mounting blocks and bushings are also available. Mounting blocks are available in anodized aluminum or phenolic material, and all bushings are stainless steel.



Figure 6. Clamping Aluminum Mounting Block



Figure 7. Stainless Steel Mounting Bushings

Electrical Connections

The DP100980 Probe Driver utilizes eddy current principles to produce a linear negative voltage output proportional to the displacement between the probe tip and the measured surface. The driver is a three-wire system that adheres to API670 standards with connections for power, common, and signal output.

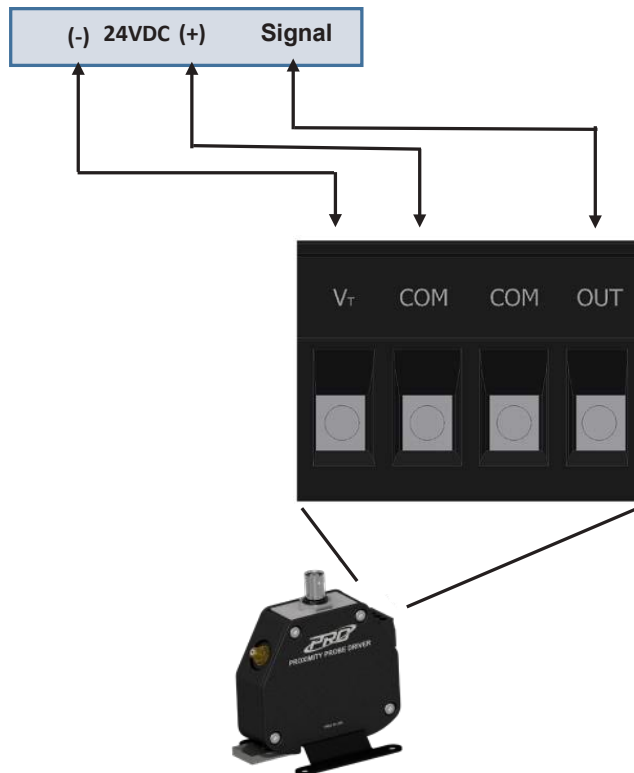


Figure 8. Three Wire Connection

Note: Wiring a power supply to COM-COM terminals will damage the driver.

The DD100970, DD100990, and DD100991 Series Proximity Probe products are four-wire devices with connections for loop power, common, and dynamic signal output. The "70" Series 4-20mA loop is directly proportional to the displacement gap between the probe tip and the measured surface. The "90" and "91" Series 4-20mA loop output is directly proportional to the selectable configured full-scale range.

The driver has four terminal connections: "-", "+", COM, and OUT. The -24 Vdc power is connected to "-" and first COM terminals.

The COM (signal common or ground) terminal is isolated from the driver case. COM is not directly connected to the probe cable connectors.

The OUT terminal is the output signal connection. It is a negative voltage output, with the voltage moving more negatively (higher in magnitude) as the gap between the probe and the machine shaft increases. COM is used for the output as well.

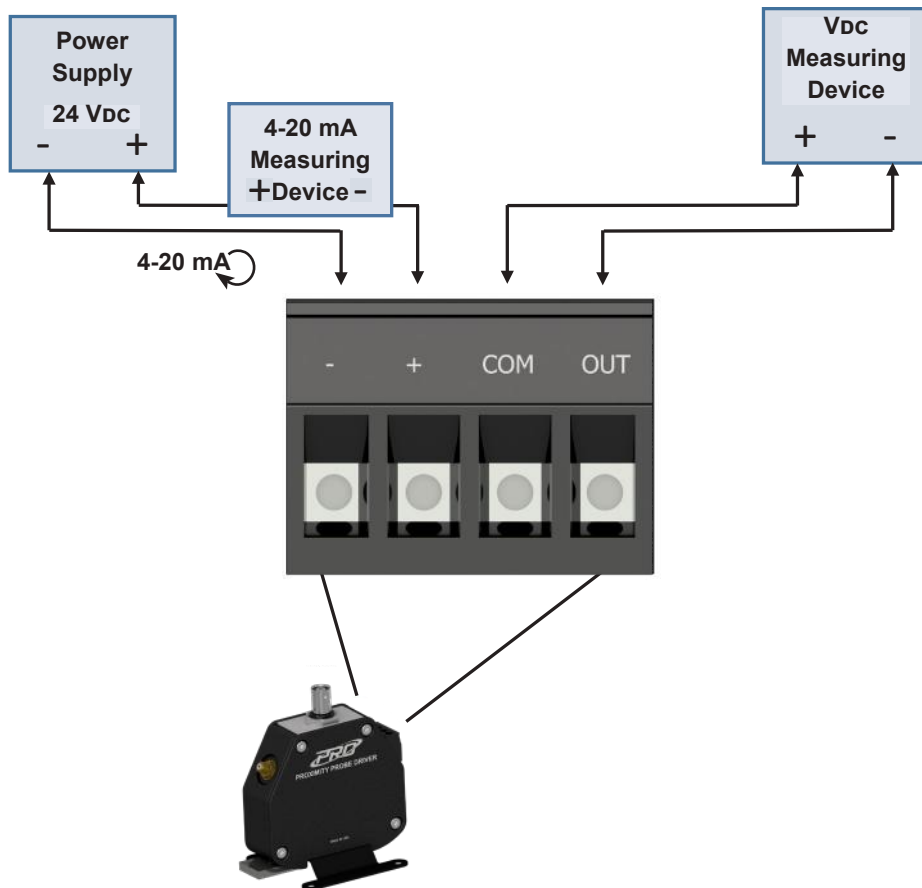


Figure 9. Four Wire Connection

Note: Wiring a power supply to COM-COM terminals will damage the driver.

Target Surfaces

The target material directly affects the output from the proximity probe system. Drivers can be calibrated for many different target materials. If the target material differs from the material the driver is calibrated to, the output will become non-linear. Please see the complete list of compatible materials at ctconline.com.

For vibration monitoring of rotating shafts, the observed surface must have a roughness not to exceed 32 $\mu\text{in.}$ (< 1 micron) and must be concentric. False vibration readings will result if the surface is rough or has discontinuities or excessive mechanical run-out. The target area should be at the circumference of a shaft and perpendicular to the probe tip to ensure measurement accuracy.

Linear range may be reduced if the target diameter < 0.5 in. or shaft diameter < 1.2 in.

Note: Shaft diameters should be uniform in the target area and free of keyways, oil slingers, or mechanical damage.

Setup and Adjustment

When all connections to the driver have been made and the probe is in place, apply power to the system. For applications where the only data of interest is vibration level, where measuring the gap is unnecessary, the voltage at the OUT (signal output) terminal, relative to the COM (common) terminal, should be -7.0 ± 5 V for a mid-range gap of 35 mils. Adjust the probe until this reading is obtained. For applications where the actual gap needs to be measured, adjust the probe until a reading is obtained that reflects the desired initial gap setting.

OPERATION

A PRO DP Probe Assembly operates in combination with a PRO DD Probe driver. The driver outputs a signal proportional to the gap between the probe tip and the target. The average gap corresponds to the DC component of the output. Vibration is measured by monitoring the DC variation of the signal simulating an AC component. All drivers have the same 13 V output span. The output sensitivity of the FFv™ driver is -200 mV/mil.



TROUBLESHOOTING

Problem	Recommended Action
-05 to -0.6 Vbc signal output	Check probe cable/extension cable connection to driver
No signal output	Check power supply

MAINTENANCE

There are no customer replaceable parts on the proximity probe driver. Once the proximity probe assembly has been installed, minimal maintenance will be required. Basic visual checks should be made periodically to ensure integrity and proper function. It is designed to provide trouble-free continuous service under normal operating conditions. Should the instrument require repair, visit ctconline.com for a return material authorization.

WARRANTY & REFUND

Warranty

The PRO line offers a full line of complete proximity probe systems. All PRO products are backed by a lifetime warranty on materials and workmanship. CTC will repair or replace any PRO products as long as the product was not subjected to misuse, neglect, natural disasters, improper installation, or modification.

Refund

All stock products can be returned for a 25% restocking fee if returned in new condition within 90 days of shipment. Stock products qualify for free cancellation if your order is cancelled within 24 hours of purchase. Built-to-order products qualify for a 50% refund if returned in new condition within 90 days of shipment. Custom products are quoted and built specifically to the requirements of the customer, which may include completely custom product designs or private labeled versions of standard products for OEM customers. Custom products ordered are non-cancellable, non-returnable and non-refundable.

