

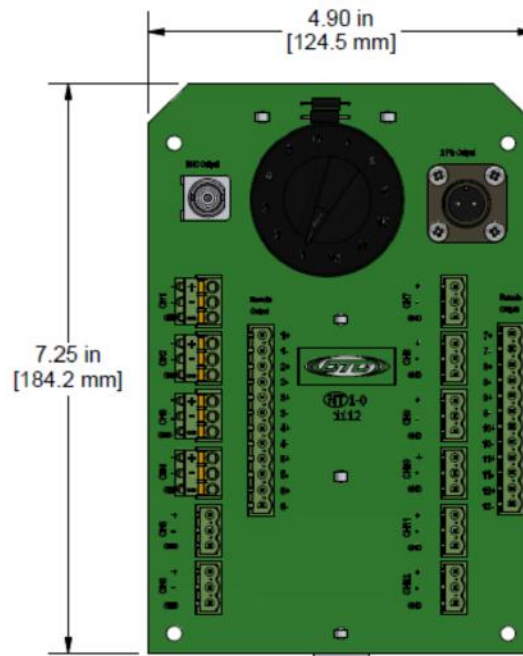
# JB908

Single Axis, 4 Channel Switch Box PC Board, Fully Populated



## Product Features

- ▶ Provides a switched output from remotely installed sensors to a data collector through a BNC and a 2 Pin MIL spec connector
- ▶ Accepts Input from Sensors, Proximity Probes, Temperature Probes
- ▶ Quick-release input terminal blocks



## Specifications

Temperature Range	-58°F (-50°C) to 180°F (82°C)
Inputs	Terminal Block, 3 Inputs per Channel (+, -, Shield)
Outputs	BNC Jack and 2 Pin MIL
Sensor Input Options	4

Backed by our Unconditional Lifetime Warranty

[www.ctconline.com](http://www.ctconline.com) | [sales@ctconline.com](mailto:sales@ctconline.com) | 585-924-5900

# JB918-1A

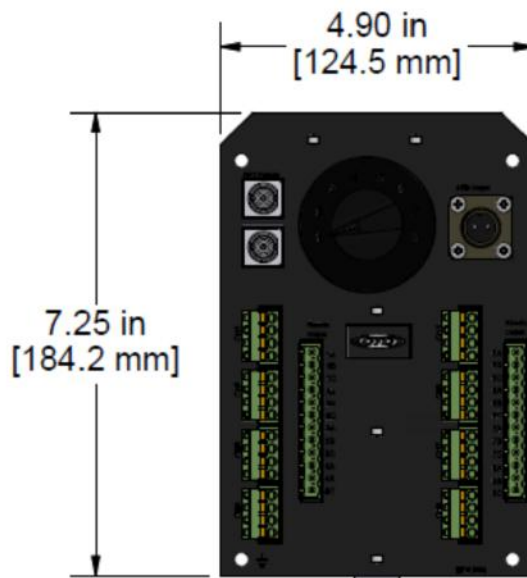
8 Channel Dual Output Switch Box PC Board, Fully Populated, No Mounting Hardware Included



## Product Features

Temperature / Acceleration access for up to 8 Dual-Output sensors.

- ▶ Provides a switched output from remotely installed dual output sensors to a data collector through a 2 BNC, or 1 BNC and 2 Pin MIL spec connector
- ▶ Quick-release input terminal blocks



## Specifications

Temperature Range	-58°F (-50°C) to 180°F (82°C)
Inputs	Terminal Block, 4 Inputs per Channel (A,B,C,GND)
Outputs	2 BNC Jacks and 2 Pin MIL
Sensor Input Options	8

Backed by our Unconditional Lifetime Warranty

[www.ctconline.com](http://www.ctconline.com) | [sales@ctconline.com](mailto:sales@ctconline.com) | 585-924-5900

# JB961-1A

Single Axis, 12 Channel iBOX Board, Fully Populated



VIBRATION ANALYSIS HARDWARE



## Product Features

Fully featured vibration junction box interface with IEPE sensor condition indicator lights

Up to 12 channel inputs

- ▶ IEPE bias indicator light identifies when data is to be collected or shows open and short circuit conditions
- ▶ Fold-forward panel for easy wiring and hidden cabling
- ▶ Includes all mounting hardware



## Specifications

Temperature Range	-58 to 180°F (-50 to 82°C)
Inputs	+, -, Shield
Outputs	BNC Jack and 2 Pin MIL
Sensor Input Options	4, 6, 8, 10, 12
Switch	2 Pole
Bias Indicator	1 Channel

Backed by our Unconditional Lifetime Warranty

[www.ctconline.com](http://www.ctconline.com) | [sales@ctconline.com](mailto:sales@ctconline.com) | 585-924-5900

# JB961-2A

Dual Output, 12 Channel iBOX Board, Fully Populated



VIBRATION ANALYSIS HARDWARE



## Product Features

Fully featured vibration junction box interface with IEPE sensor condition indicator lights

Up to 12 channel inputs

- ▶ IEPE bias indicator light identifies when data is to be collected or shows open and short circuit conditions
- ▶ Fold-forward panel for easy wiring and hidden cabling
- ▶ Includes all mounting hardware



## Specifications

Temperature Range	-58 to 180°F (-50 to 82°C)
Inputs	A, B, C, Shield
Outputs	2x BNC Jack and 3 Pin MIL
Sensor Input Options	4, 6, 8, 10, 12
Switch	3 Pole
Bias Indicator	1 Channel (A-Signal, B-Common)

Backed by our Unconditional Lifetime Warranty

[www.ctconline.com](http://www.ctconline.com) | [sales@ctconline.com](mailto:sales@ctconline.com) | 585-924-5900

# JB961-3A

Triaxial Output, 12 Channel iBOX Board, Fully Populated



## Product Features

Fully featured vibration junction box interface with IEPE sensor condition indicator lights

Up to 12 channel inputs

- ▶ IEPE bias indicator light identifies when data is to be collected or shows open and short circuit conditions
- ▶ Fold-forward panel for easy wiring and hidden cabling
- ▶ Includes all mounting hardware



## Specifications

Temperature Range	-58 to 180°F (-50 to 82°C)
Inputs	A, B, C, D, Shield
Outputs	3x BNC Jack and 4 Pin 'J'
Sensor Input Options	4, 6, 8, 10, 12
Switch	4 Pole
Bias Indicator	3 Channel (D-Common)

Backed by our Unconditional Lifetime Warranty

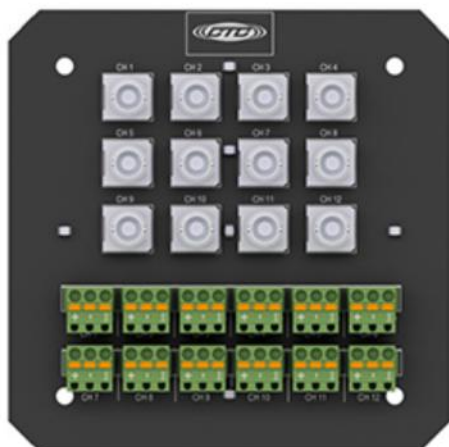
[www.ctconline.com](http://www.ctconline.com) | [sales@ctconline.com](mailto:sales@ctconline.com) | 585-924-5900

# MX100-1A

Single Axis, 12 Channel MAXX Box Board, Individual BNC Connectors



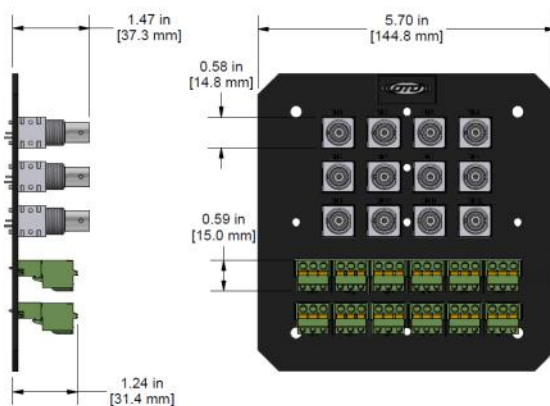
VIBRATION ANALYSIS HARDWARE



## Product Features

Connects remotely installed sensors to portable data collectors

- ▶ Quick-release input terminal blocks



## Specifications

Temperature Range	-58°F (-50°C) to 180°F (82°C)
Inputs	Terminal Block 3 Inputs per Channel (+, -, Shield)
Outputs	BNC Jack per Channel, Electrically Isolated
Sensor Input Options	12 Channels

Backed by our Unconditional Lifetime Warranty

[www.ctconline.com](http://www.ctconline.com) | [sales@ctconline.com](mailto:sales@ctconline.com) | 585-924-5900

# MX300-1A



VIBRATION ANALYSIS HARDWARE

Triaxial Input & Output MAXX Box Board, 4 Triaxial Outputs (12 Measurement Channels), Individual 4 Pin Azima DLI Compatible Connectors

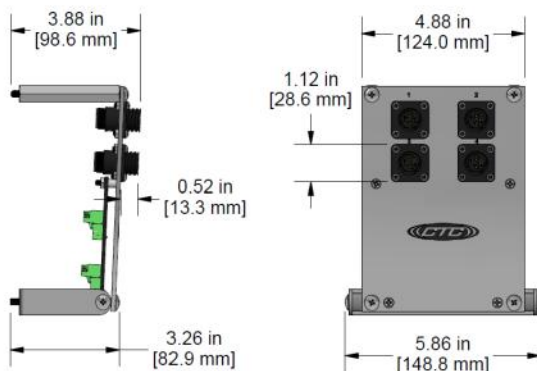


## Product Features

Designed for Triaxial Data Collection

Provides 4 Triaxial connections for Azima DLI DCA/DCX Data Collection or up to 12 single axis sensor inputs

- ▶ Quick-release input terminal block located behind hinged panel



## Specifications

Temperature Range	-58°F to 180°F (-50°C to 82°C)
Inputs	Terminal Blocks 5 Inputs (+,+,+,-, Shield)
Outputs	4 Pin Quick Lock Connector
Sensor Input Options	12 Channels

Backed by our Unconditional Lifetime Warranty

[www.ctconline.com](http://www.ctconline.com) | [sales@ctconline.com](mailto:sales@ctconline.com) | 585-924-5900