

DSB-MOD8

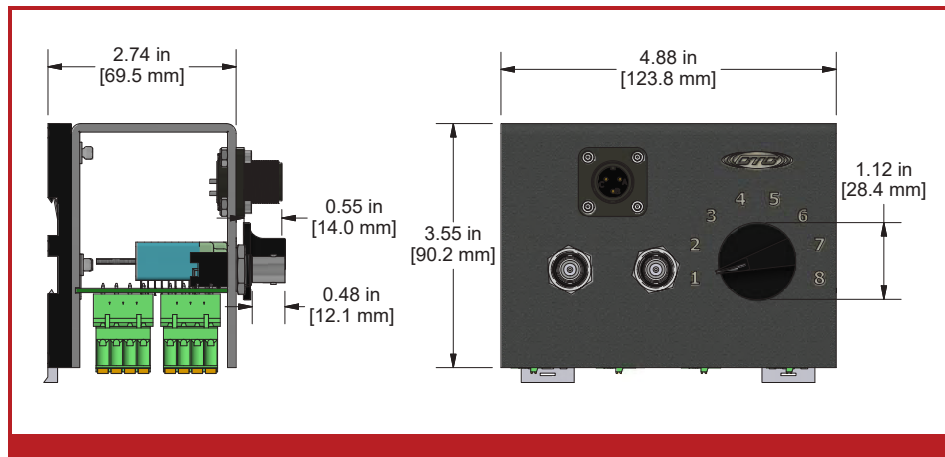
Dual Output Switch Module



Product Features

Provides a switched output from remotely installed dual output sensors to a data collector through 2 BNCs, or 3 Pin MIL spec connector

Quick release input terminal blocks

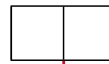


Ordering Information

DSB-MOD



-



Channels

8 = 8 Channels

Optional Output

Blank = None
CO = Continuous Output Option

Backed by our Unconditional Lifetime Warranty

www.ctonline.com | sales@ctonline.com | 585-924-5900

DSB1000 - DSB1001



VIBRATION ANALYSIS HARDWARE

Dual Input & Output Modular Vibration Switch Box, Fiberglass Enclosure, NEMA 4X (IP66) Rated, Includes DSB-MOD(X) Switch Module for 1-8 Dual Output Sensor Inputs

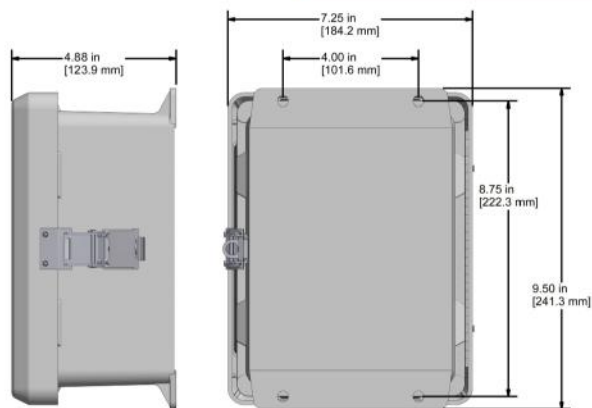


Product Features

Enclosure with DIN Rail Mountable Modules for Multiple Dual Inputs and Switched Outputs

Internally earth grounded for noise reduction

- ▶ Provides a switched output from up to 8 remotely installed dual output sensors to a data collector through two BNCs, or 3 Pin MIL spec connector
- ▶ Modules feature external BNC and 2 or 3 Pin connection options to suit your preferred data collector
- ▶ Modular design provides flexible upgrade option



Specifications

Temperature Range	-58°F (-50°C) to 180°F (82°C)
Enclosure Material	Fiberglass
Inputs	Terminal Block, 4 Inputs per Channel (A,B,C,GND)
Outputs	2 BNC Jacks and 3 Pin MIL
Continuous Output	Optional multi-pin connector for interface with on line systems (requires JB931-3A)
Rating	NEMA 4X
Door Closure	Snap Latch
Dimensions	7.25 x 9.50 x 4.88 in (184 x 241 x 124 mm)
Resistance	Resistant to Hose Directed Fluid and Corrosion

Ordering Information

DSB -

Enclosure Type	Channels	Input Options
1000 - Fiberglass Enclosure 1001 - Fiberglass Enclosure, Continuous Output 2000 - Stainless Steel Enclosure 2001 - Stainless Steel Enclosure, Continuous Output	4 - 4 Channels 6 - 6 Channels 8 - 8 Channels	A - User Defined* B - Conduit Fitting** C - Cord Grips S - Stainless Steel Cord Grips*

*No punch outs are provided in the enclosure for cable entry. User may install any fitting required.
 **For use with conduit.
 *Stainless steel enclosure only.

Backed by our Unconditional Lifetime Warranty

www.ctconline.com | sales@ctconline.com | 585-924-5900

DSB1002 - DSB1003



VIBRATION ANALYSIS HARDWARE

Dual Input & Output Modular Vibration Switch Box, Fiberglass Enclosure, NEMA 4X (IP66) Rated, Includes up to 4 DSB-MOD(X) Switch Modules for 8, 16, 24, or 32 Dual Output Sensor Inputs

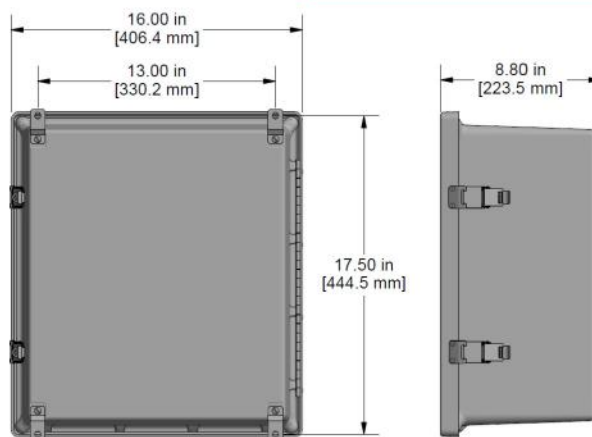


Product Features

Enclosure with DIN Rail Mountable Modules for Multiple Dual Inputs and Switched Outputs

Internally earth grounded for noise reduction

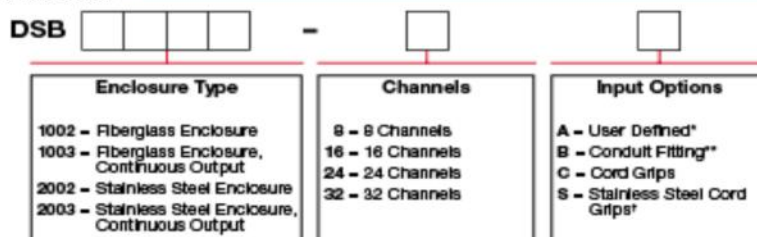
- ▶ Provides a switched output from up to 32 remotely installed dual output sensors to a data collector through two BNCs, or 3 Pin MIL spec connector
- ▶ Modules feature external BNC and 2 or 3 Pin connection options to suit your preferred data collector
- ▶ Modular design provides flexible upgrade option



Specifications

Temperature Range	-58°F (-50°C) to 180°F (82°C)
Enclosure Material	Fiberglass
Inputs	Terminal Block, 4 Inputs per Channel (A,B,C,GND)
Outputs	2 BNC Jacks and 3 Pin MIL
Continuous Output	Optional multi-pin connector for interface with on line systems (requires JB931-3A)
Sensor Input Options	8, 16, 24, 32
Rating	NEMA 4X
Door Closure	Snap Latch
Dimensions	16.00 x 17.50 x 8.80 in (406 x 445 x 224 mm)
Resistance	Resistant to Hose Directed Fluid and Corrosion

Ordering Information



*No punch outs are provided in the enclosure for cable entry. User may install any fitting required.
**For use with conduit.

†Stainless steel enclosure only.

Backed by our Unconditional Lifetime Warranty

www.ctconline.com | sales@ctconline.com | 585-924-5900

DSB6000



VIBRATION ANALYSIS HARDWARE

Dual Input & Output, Sloped Top, Modular Vibration Switch Box, Stainless Steel Enclosure, NEMA 4X (IP66) Rated, Includes DSB-MOD(X) 1 to 8 Dual Output Sensor Input Switch Module

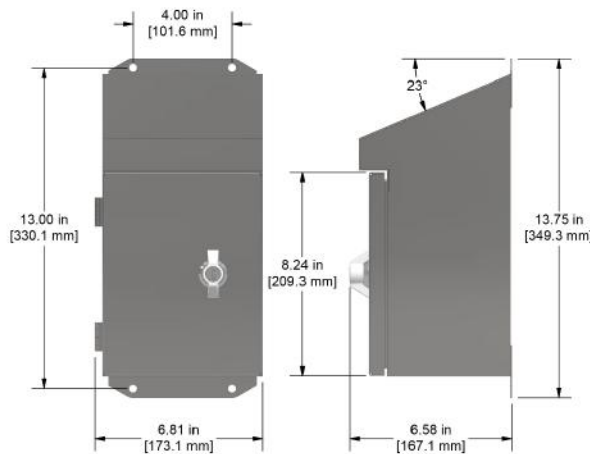


Product Features

Enclosure with DIN rail mountable modules for multiple dual inputs and switched outputs

Internally earth grounded for noise reduction

- ▶ Provides a switched output from up to 8 remotely installed dual output sensors to a data collector through two BNCs, or 3 pin MIL spec connector
- ▶ Quick-release input terminal blocks



Specifications

Temperature Range	-58° to 180°F (-50° to 82°C)
Enclosure Material	Stainless Steel
Inputs	Terminal Block, 4 Inputs per Channel (A,B,C,GND)
Outputs	2 BNC jacks & 3 Pin Connector
Continuous Output	Multi-pin connector for interface with online systems (optional) Requires JB931-3A
Sensor Input Options	4 - 8 Channels
Rating	NEMA 4X
Door Closure	Twist Lock
Dimensions	6.24 x 13.75 x 6.12 in (159 x 349 x 155 mm)
Resistance	Resistant to Hose Directed Fluid and Corrosion

Ordering Information

DSB -

Enclosure Type	Channels	Input Options
6000 - Stainless Steel Enclosure with Sloped Top	4 - 4 Channels 6 - 6 Channels 8 - 8 Channels	A - User Defined* B - Conduit Fitting** C - Cord Grips S - Stainless Steel Cord Grips*

*No punch outs are provided in the enclosure for cable entry. User may install any fitting required.
**For use with conduit.
*Stainless Steel enclosures only.

Backed by our Unconditional Lifetime Warranty

www.ctconline.com | sales@ctconline.com | 585-924-5900

SSB-MOD12

Output Switch Module

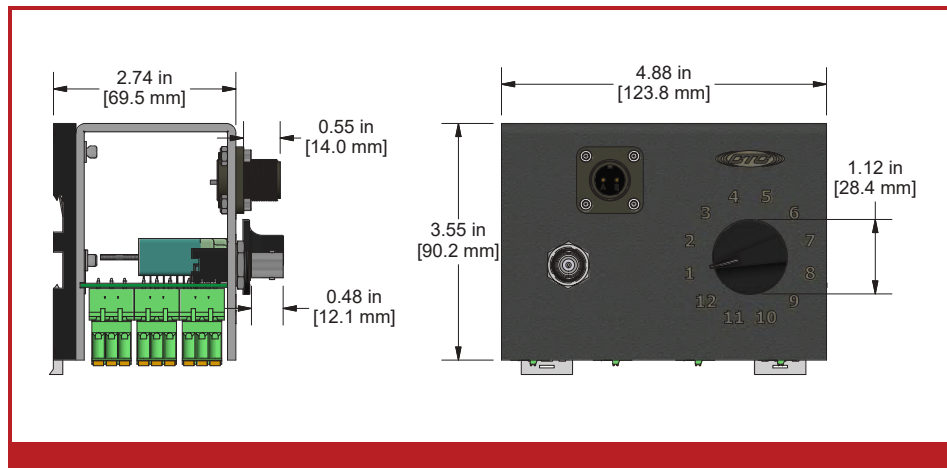


Product Features

Provides a switched output from remotely installed sensors to a data collector through a BNC and a 2 Pin MIL spec connector

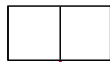
Accepts input from: Accelerometers, Proximity probes, Tachometers, Temperature probes

Quick-release input terminal blocks

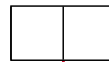


Ordering Information

SSB-MOD



-



Channels

12 = 12 Channels

Optional Output

Blank = None

CO = Continuous Output Option

Backed by our Unconditional Lifetime Warranty

www.ctonline.com | sales@ctonline.com | 585-924-5900

SSB1000 - SSB1001



VIBRATION ANALYSIS HARDWARE

Single Axis Modular Vibration Switch Box, Fiberglass Enclosure, NEMA 4X (IP66) Rated, Includes SSB-MOD(X) Switch Module for 1-12 Sensor Outputs Inputs

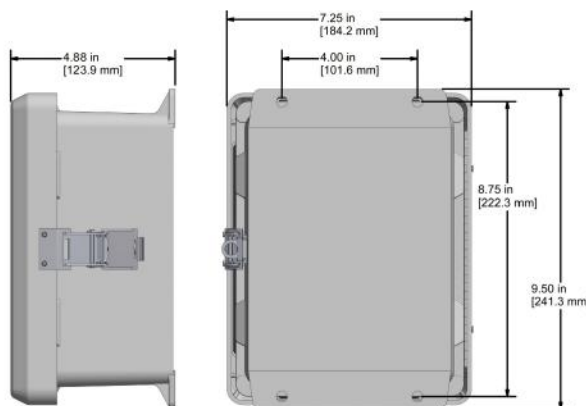


Product Features

Enclosure with DIN Rail Mountable Modules for Multiple Inputs and a Switched Output

Internally earth grounded for noise reduction

- ▶ Provides a switched output from remotely installed sensors to a data collector through a BNC and 2 Pin MIL spec connector
- ▶ Accepts inputs from Sensors, Proximity Probes, & Temperature Probes
- ▶ Quick-release input terminal blocks



Specifications

Temperature Range	-58°F (-50°C) to 180°F (82°C)
Enclosure Material	Fiberglass
Inputs	Terminal Block 3 Inputs per Channel (+ Shield)
Outputs	BNC Jack and 2 Pin MIL
Continuous Output	Optional Multi-Pin connector for interface with on line systems (requires JB907-3A)
Sensor Input Options	4, 6, 8, 10, 12
Rating	NEMA 4X (IP66)
Door Closure	Twist Latch
Dimensions	7.25 x 9.50 x 4.88 in (184 x 241 x 124 mm)
Cord Grips	Optional
Resistance	Resistant to Hose Directed Fluid and Corrosion

Ordering Information

SSB -

Enclosure Type	Channels	Input Options
1000 - Fiberglass Enclosure 1001 - Fiberglass Enclosure, Continuous Output 2000 - Stainless Steel Enclosure 2001 - Stainless Steel Enclosure, Continuous Output	4 - 4 Channels 6 - 6 Channels 8 - 8 Channels 10 - 10 Channels 12 - 12 Channels	A - User Defined* B - Conduit Fitting** C - Cord Grips S - Stainless Steel Cord Grips†

*No punch outs are provided in the enclosure for cable entry. User may install any fitting required
 **For use with conduit.
 †Stainless Steel enclosure only.

Backed by our Unconditional Lifetime Warranty

www.ctconline.com | sales@ctconline.com | 585-924-5900

SSB1002 - SSB1003



VIBRATION ANALYSIS HARDWARE

Single Axis Modular Vibration Switch Box, Fiberglass Enclosure, NEMA 4X (IP66) Rated, Includes up to 4 SSB-MOD(X) Switch Modules for 12 to 48 Single Output Sensor Inputs

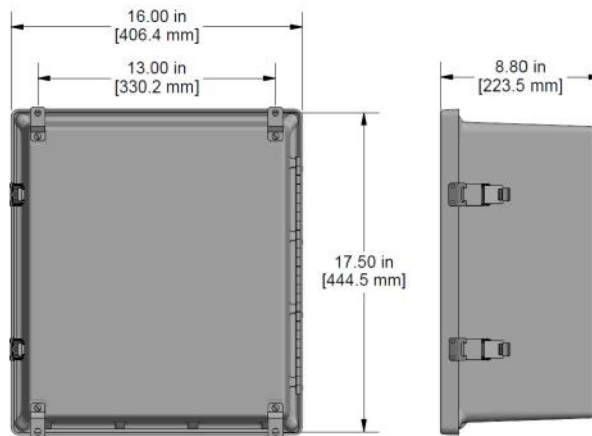


Product Features

Enclosure with DIN Rail Mountable Modules for Multiple Inputs and a Switched Output

Internally earth grounded for noise reduction

- ▶ Provides a switched output from remotely installed sensors to a data collector through a BNC and 2 Pin MIL spec connector
- ▶ Accepts inputs from Sensors, Proximity Probes, & Temperature Probes
- ▶ Quick-release input terminal blocks



Specifications

Temperature Range	-58°F (-50°C) to 180°F (82°C)
Enclosure Material	Fiberglass
Inputs	Terminal Block 3 Inputs per Channel (+, -, Shield)
Outputs	BNC Jack and 2 Pin MIL
Continuous Output	Multi-pin connector for interface with online systems
Sensor Input Options	12, 24, 36, 48
Rating	NEMA 4X (IP66)
Door Closure	Twist Latch
Dimensions	16.00 x 17.50 x 8.80 in (406 x 445 x 224 mm)
Cord Grips	Optional
Resistance	Resistant to Hose Directed Fluid and Corrosion

Ordering Information

SSB -

Enclosure Type	Channels	Input Options
1002 - Fiberglass Enclosure	12 - 12 Channels	A - User Defined*
1003 - Fiberglass Enclosure, Continuous Output	24 - 24 Channels	B - Conduit Fitting**
2002 - Stainless Steel Enclosure	36 - 36 Channels	C - Cord Grips
2003 - Stainless Steel Enclosure, Continuous Output	48 - 48 Channels	S - Stainless Steel Cord Grips†

*No punch outs are provided in the enclosure for cable entry. User may install any fitting required
 **For use with conduit.
 †Stainless Steel enclosure only.

Backed by our Unconditional Lifetime Warranty

www.ctconline.com | sales@ctconline.com | 585-924-5900

SSB6000



VIBRATION ANALYSIS HARDWARE

Single Axis, Sloped Top, Modular Vibration Switch Box, Stainless Steel Enclosure, NEMA 4X (IP66) Rated, Includes SSB-MOD(X) for 1 to 12 Single Output Sensor Inputs

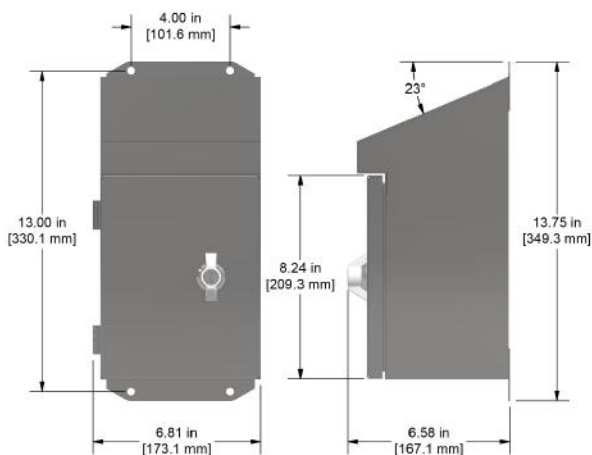


Product Features

Enclosures with DIN rail mountable modules for multiple inputs and a switched output

Internally earth grounded for noise reduction

- ▶ Sloped top prevents dust and dirt build-up
- ▶ Provides a switched output from remotely installed sensors to a data collector through a BNC and a 2 Pin MIL spec connector



Specifications

Temperature Range	-58° to 180°F (-50° to 82°C)
Enclosure Material	Stainless Steel
Inputs	Terminal Block 3 Inputs per Channel (+ - Shield)
Outputs	BNC Jack and 2 Pin MIL
Continuous Output	Multi-pin connector for interface with online systems (optional) Requires JB907-3A
Sensor Input Options	4 - 12 Channels
Rating	NEMA 4X
Door Closure	Twist Lock
Dimensions	6.24 x 13.75 x 6.12 in (159 x 349 x 155 mm)
Resistance	Resistant to Hose Directed Fluid and Corrosion

Ordering Information

SSB -

Enclosure Type	Channels	Input Options
6000 - Stainless Steel Enclosure with Sloped Top	4 - 4 Channels 6 - 6 Channels 8 - 8 Channels 10 - 10 Channels 12 - 12 Channels	A - User Defined* B - Conduit Fitting** C - Cord Grips S - Stainless Steel Cord Grips*

*No punch outs are provided in the enclosure for cable entry. User may install any fitting required.
**For use with conduit.
*Stainless steel enclosures only.

Backed by our Unconditional Lifetime Warranty

www.ctconline.com | sales@ctconline.com | 585-924-5900

TSB-MODX

Triaxial Sensor Switch Module

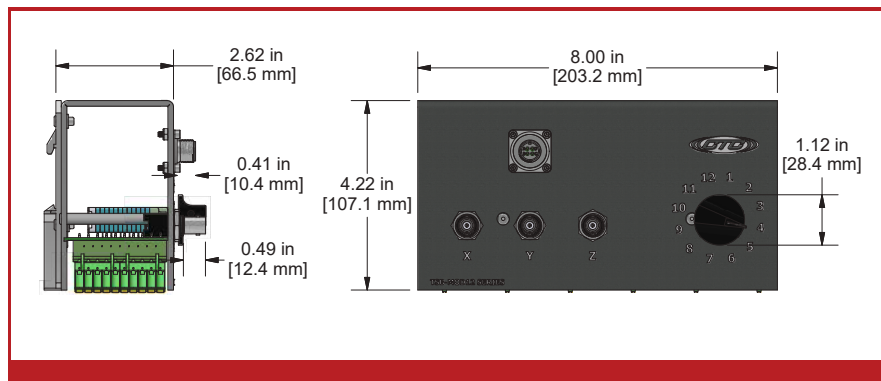
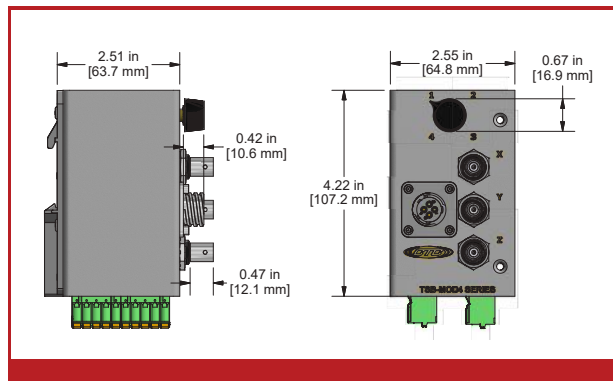


Product Features

Simultaneous measurements for triaxial capable data collectors

Fast, efficient data collection

Modular style enables easy DIN rail mount



Ordering Information

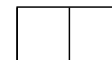
TSB-MOD



-



-



Channels

04 = 4 Triaxial Sensors
12 = 12 Triaxial Sensors

4 Pin Connector Compatibility

D4 = Azima DLI Compatible
G4 = G4X Series Twist Lock
J4 = J4X Series CTC Compatible
M4 = M12 Compatible

Optional Output

Blank = None
CO = Continuous Output Option

Backed by our Unconditional Lifetime Warranty

www.ctconline.com | sales@ctconline.com | 585-924-5900

TSB-MODX

Triaxial Sensor Switch Module

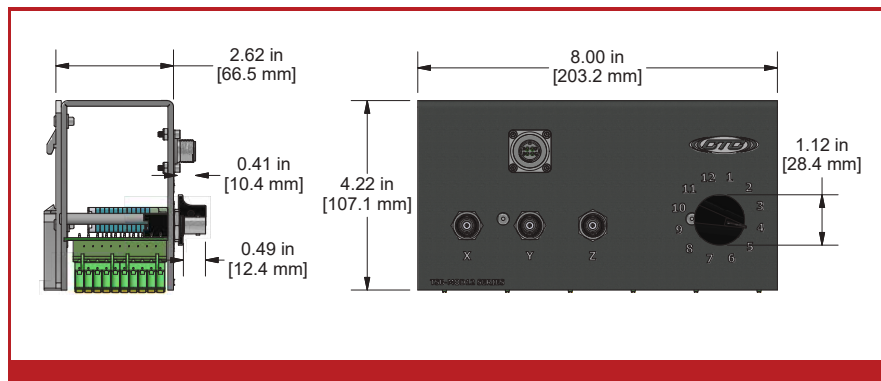
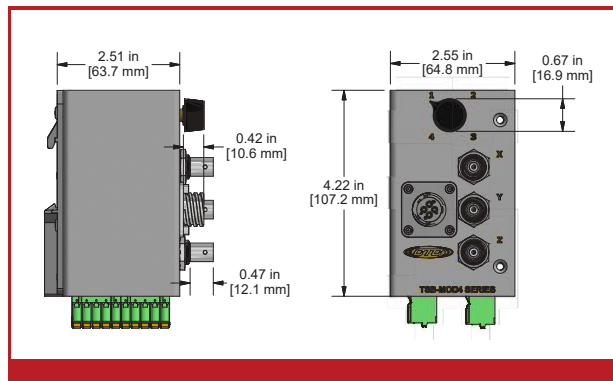


Product Features

Simultaneous measurements for triaxial capable data collectors

Fast, efficient data collection

Modular style enables easy DIN rail mount



Ordering Information

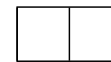
TSB-MOD



-



-



Channels

04 = 4 Triaxial Sensors
12 = 12 Triaxial Sensors

4 Pin Connector Compatibility

D4 = Azima DLI Compatible
G4 = G4X Series Twist Lock
J4 = J4X Series CTC Compatible
M4 = M12 Compatible

Optional Output

Blank = None
CO = Continuous Output Option

Backed by our Unconditional Lifetime Warranty

www.ctconline.com | sales@ctconline.com | 585-924-5900

TSB1000



VIBRATION ANALYSIS HARDWARE

Triaxial Input & Output Modular Vibration Switch Box, Fiberglass Enclosure, NEMA 4X (IP66) Rated, Includes TSB-MOD4 Sensor Input Switch Module for 1-4 Triaxial Sensor Inputs

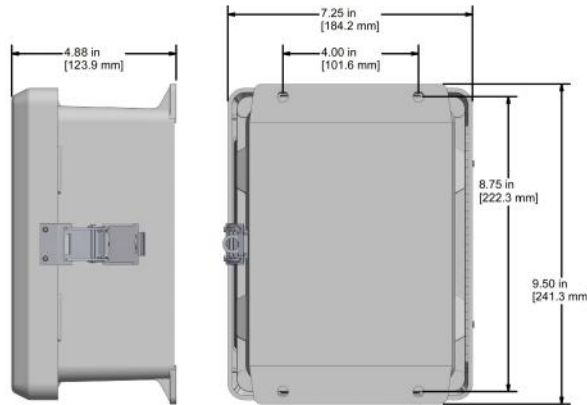


Product Features

Provides a switched output from remotely installed triaxial sensors to a data collector through 3 BNC jacks and 4 Pin connector

Internally earth grounded for noise reduction

- ▶ Access up to 4 Triaxial Sensors (12 Measurement Channels)
- ▶ Option for Continuous Monitoring Available
- ▶ Quick-release input terminal blocks



Specifications

Temperature Range	-58°F (-50°C) to 180°F(82°C)
Enclosure Material	Fiberglass
Inputs	5 Terminations per Triaxial Sensor (X, Y, Z, COM, GND)
Outputs	3 x BNC Jacks and 1 x 4 Pin Connector
Continuous Output	Optional T Plug
Sensor Input Options	12
Rating	NEMA 4X (IP66)
Door Closure	Snap Latch
Dimensions	7.25 x 9.50 x 4.88 in (184 x 241 x 124 mm)
Cord Grips	Optional
Resistance	Resistant to Hose Directed Fluid and Corrosion

Ordering Information

TSB - - -

Enclosure Type	Number of Channels	4 Pin Connector Compatibility	Input Options	Output Options
1000 - Fiberglass enclosure 2000 - Stainless steel enclosure 1001 - Fiberglass enclosure, with continuous output option 2001 - Stainless Steel Enclosure, with continuous output option	04 - 4 triaxial sensors (12 channels)	J4 - J4X Series connector compatible G4 - G4X Series connector compatible D4 - Azima DLI connector compatible M4 - M4X Series connector compatible	A - User defined* B - Conduit fitting** C - Cord Grips S - Stainless steel cord grip†	A - None B - 1 in. conduit fitting

*No punch outs are provided in the enclosure for cable entry. User may install any fitting required.
**For use with rigid body conduit.
†Stainless Steel enclosure only.

Backed by our Unconditional Lifetime Warranty

www.ctconline.com | sales@ctconline.com | 585-924-5900

TSB3000



VIBRATION ANALYSIS HARDWARE

Triaxial Input & Output Modular Vibration Switch Box, Fiberglass Enclosure, NEMA 4X (IP66) Rated, Includes TSB-MOD12 Switch Module for 1-12 Triaxial Sensor Inputs

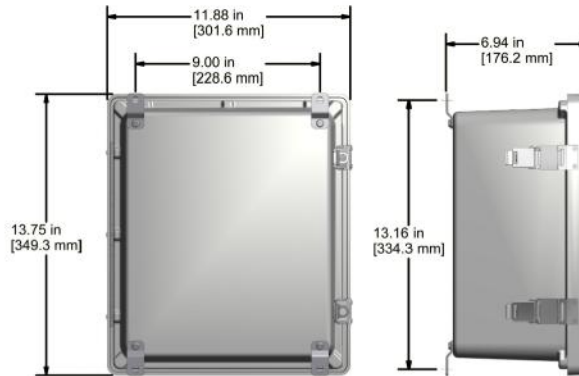


Product Features

For interface with Azima DLI Data collector Cables

Internally earth grounded for noise reduction

- ▶ Provides a switched output from remotely installed triaxial sensors to a data collector through 3 BNC jacks and 4 Pin connector
- ▶ Option for Continuous Monitoring Available
- ▶ Quick-release input terminal blocks



Specifications

Temperature Range	-58°F (-50°C) to 180°F(82°C)
Enclosure Material	Fiberglass
Inputs	5 Terminations per Triaxial Sensor (X, Y, Z, COM, GND)
Outputs	3 x BNC Jacks and 1 x 4 Pin Connector
Continuous Output	Optional T Plug
Sensor Input Options	12
Rating	NEMA 4X (IP66)
Door Closure	Snap Latch
Dimensions	11.88 x 13.75 x 6.94 in (302 x 349 x 176 mm)
Cord Grips	Optional
Resistance	Resistant to Hose Directed Fluid and Corrosion

Ordering Information

TSB - - -

Enclosure Type	Number of Channels	4 Pin Connector Compatibility	Input Options	Output Options
3000 - Fiberglass enclosure	12 - 12 triaxial sensors	J4 - J4X Series connector compatible	A - User defined*	A - None
4000 - Stainless steel enclosure		G4 - G4X Series connector compatible	B - Conduit fitting**	B - 1 in. conduit fitting
3001 - Fiberglass enclosure, with continuous output option		D4 - Azima DLI connector compatible	C - Cord Grips	
4001 - Stainless Steel Enclosure, with continuous output option		M4 - M4X Series connector compatible	S - Stainless steel cord grip†	

*No punch outs are provided in the enclosure for cable entry. User may install any fitting required.
 **For use with rigid body conduit.
 †Stainless Steel enclosure only.

Backed by our Unconditional Lifetime Warranty

www.ctconline.com | sales@ctconline.com | 585-924-5900

TSB6000



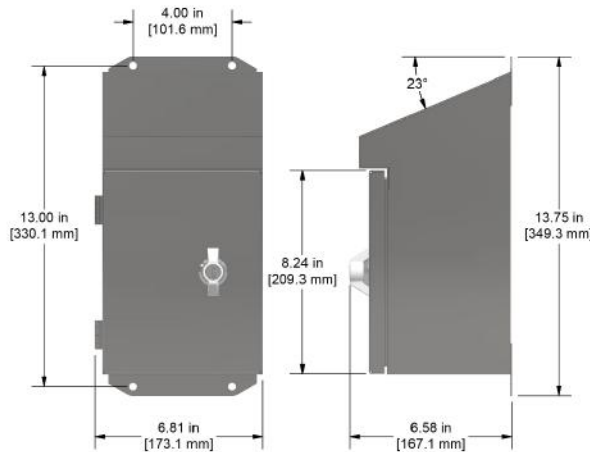
VIBRATION ANALYSIS HARDWARE

Triaxial Input & Output, Sloped Top, Modular Vibration Switch Box, Stainless Steel Enclosure, NEMA 4X (IP66) Rated, Includes TSB-MOD4 Switch Module for 1-4 Triaxial Sensor Inputs



Product Features

- Easily switched output for up to 4 triaxial sensors
- Internally earth grounded for noise reduction
- ▶ Designed to prevent dust and dirt build-up on the roof of the box
- ▶ Provides a switched output from remotely installed triaxial sensors to a data collector through 3 BNC jacks and 4 Pin connector



Specifications

Temperature Range	-58° to 180°F (-50° to 82°C)
Enclosure Material	Stainless Steel
Inputs	Terminal Block, 5 Terminations per Triaxial Sensor (X +, Y +, Z +, COM, GND)
Outputs	3 BNC jacks & 4 Pin Connector
Continuous Output	Multi-pin connector for interface with online systems (optional) Requires JB933-1A
Rating	NEMA 4X
Door Closure	Twist Lock
Dimensions	6.24 x 13.75 x 6.12 in (159 x 349 x 155 mm)
Resistance	Resistant to Hose Directed Fluid and Corrosion

Ordering Information

TSB - - -

Enclosure	Channels	Connector Compatibility	Input Options	Output Options
6000 - Stainless Steel Enclosure with Slope Top	04 - 4 Channels	J4 - J4X Series Connector Compatible G4 - G4X Series Connector Compatibility D4 - Azima DLI Series Connector Compatible M4 - M4X Series Connector Compatible	A - User Input* B - 1 In. Conduit Fitting** C - Cord Grips S - Stainless Steel Cord Grips†	A - None B - 1 In. Conduit Fitting

*No punch outs are provided in the enclosure for cable entry. User may install any fitting required.
 **For use with rigid body conduit.
 †Stainless steel enclosures only.

Backed by our Unconditional Lifetime Warranty

www.ctconline.com | sales@ctconline.com | 585-924-5900