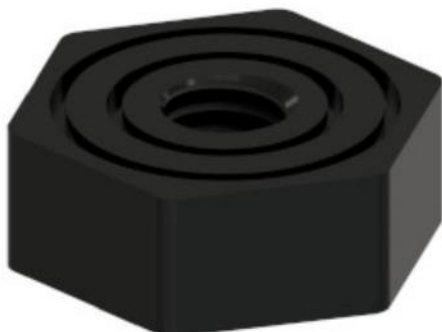


MHT130



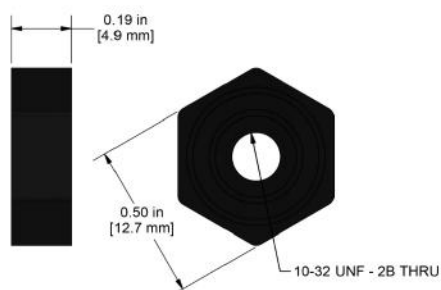
TEST & MEASUREMENT PRODUCTS

Lightweight, Isolated Mounting Pad for Test and Measurement Accelerometers, 10-32 Tapped Hole, Anodized Aluminum Hardcoat



Product Features

- ▶ 10-32 Tapped Hole
- ▶ 1/2" Hex
- ▶ Anodized aluminum hardcoat for electrical isolation



Specifications

Case Material	Anodized Aluminum Hardcoat
Dimensions	0.2" thickness
Recommended Epoxy	MHT110 petro wax MHT120 Quick Bonding Gel

Stock Product

Five Year Standard Product, Three Year Custom & Private Labeled Product Warranty
www.ctconline.com | sales@ctconline.com | 585-924-5900

MHT154

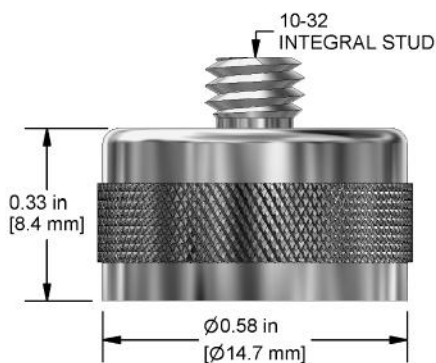
Flat Surface Magnet Mounting Base, 15 lbs. Pull Strength,
0.58" (14.7 mm) OD, 0.33" (8.38 mm) Height, 10-32 Integral Mounting
Stud



TEST & MEASUREMENT PRODUCTS

Product Features

- ▶ Durable 17-4 Stainless Steel case and mounting stud
- ▶ High strength Neodymium Iron Boron magnet optimizes pull strength and performance
- ▶ Maximum frequency response up to 10 kHz when paired with MH133-1A mounting target



Specifications

Max Temperature	266°F (130°C)
Case Material	17-4 Stainless Steel
Magnet Material	Neodymium Iron Boron
Pull Strength	15 lbs. (7 kg)
Sensor Mounting	10-32 Integral Stud

Chemical Compatibilities for Reference

- ▶ Gasoline - A
- ▶ Methanol - A
- ▶ Lubricants - A

Compatibility

- ▶ Compatible with all top exit sensors with 10-32 mounting holes

Stock Product

Five Year Standard Product, Three Year Custom & Private Labeled Product Warranty

www.ctconline.com | sales@ctconline.com | 585-924-5900