

# MH112-1A



VIBRATION ANALYSIS HARDWARE

Multipurpose 2 Rail Magnet Mounting Base with 1/4-28 Integral Stud, 30 lbs. Pull Strength, 1" (25.4 mm) OD, 0.68" (17.27 mm) Height

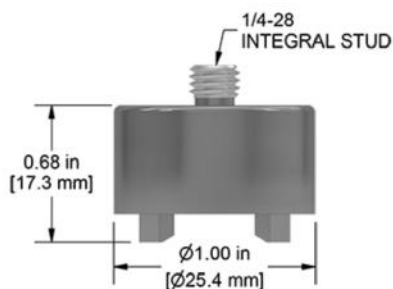


## Product Features

Durable 303 Stainless Steel case and mounting stud

High strength Neodymium Iron Boron magnet optimizes pull strength and performance

- ▶ 2 rail mounting system allows measurements on flat and curved surfaces
- ▶ Magnet Leg Rust Prevention Tips:
  - >Store the product in original packaging until it needs to be installed
  - >Ensure the steel is coated or oiled to prevent rusting



## Specifications

Max Temperature	266°F (130°C)
Case Material	303 Stainless Steel
Magnet Material	Neodymium Iron Boron
Dimensions	1.00" (25 mm) OD, .68" (17.27 mm) Height
Pull Strength	30 lbs. (14 kg)
Sensor Mounting	1/4-28 Integral Stud

## Chemical Compatibilities for Reference

- ▶ Gasoline - A
- ▶ Methanol - A
- ▶ Lubricants - A

## Compatibility

- ▶ Compatible with all top exit sensors with 1/4"-28 mounting holes

Stock Product

Backed by our Unconditional Lifetime Warranty

[www.ctconline.com](http://www.ctconline.com) | [sales@ctconline.com](mailto:sales@ctconline.com) | 585-924-5900

# MH114-3A



VIBRATION ANALYSIS HARDWARE

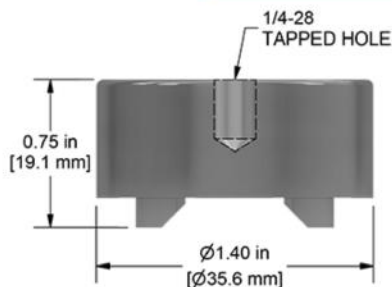
Multipurpose 2 Rail Magnet Mounting Base with 1/4-28 Blind Tapped Hole, 50 lbs. Pull Strength, 1.4" (35.56 mm) OD, 0.75" (19.05 mm) Height



## Product Features

Durable 303 Stainless Steel case and mounting hole

- ▶ 2 rail mounting system allows measurements on flat and curved surfaces
- ▶ High strength Neodymium Iron Boron magnet optimizes pull strength and performance
- ▶ Magnet Leg Rust Prevention Tips:
  - >Store the product in original packaging until it needs to be installed
  - >Ensure the steel is coated or oiled to prevent rusting



## Specifications

Max Temperature	266°F (130°C)
Case Material	303 Stainless Steel
Magnet Material	Neodymium Iron Boron
Dimensions	1.40" (36 mm) OD, .75" (19 mm) Height
Pull Strength	50 lbs. (23 kg)
Sensor Mounting	1/4-28 Mounting Hole

## Chemical Compatibilities for Reference

- ▶ Gasoline - A
- ▶ Methanol - A
- ▶ Lubricants - A

## Compatibility

- ▶ Compatible with all sensors with 1/4"-28 mounting stud or bolt
- ▶ Conversion mounting studs sold separately

Stock Product

Backed by our Unconditional Lifetime Warranty

[www.ctconline.com](http://www.ctconline.com) | [sales@ctconline.com](mailto:sales@ctconline.com) | 585-924-5900

# MH114-3B



VIBRATION ANALYSIS HARDWARE

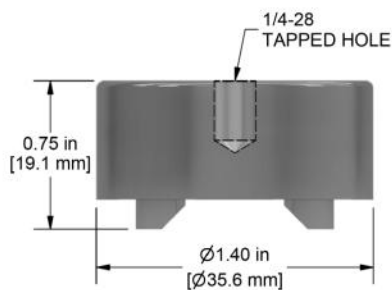
Electrically Isolated, Multipurpose 2 Rail Magnet Mounting Base with 1/4-28 Blind Tapped Hole, 50 lbs. Pull Strength, 1.4" (35.56 mm) OD, 0.75" (19.05 mm) Height



## Product Features

### Electrically Isolated

- ▶ Durable 303 Stainless Steel case and mounting hole
- ▶ High strength Neodymium Iron Boron magnet optimizes pull strength and performance
- ▶ 2 rail mounting system allows measurements on flat and curved surfaces



## Specifications

Max Temperature	266°F (130°C)
Case Material	303 Stainless Steel
Magnet Material	Neodymium Iron Boron
Dimensions	1.40" (36 mm) OD, .75" (19 mm) Height
Pull Strength	50 lbs. (23 kg)
Sensor Mounting	1/4-28 Mounting Hole

## Chemical Compatibilities for Reference

- ▶ Gasoline - A
- ▶ Methanol - A
- ▶ Lubricants - A

## Compatibility

- ▶ Compatible with all sensors with 1/4"-28 mounting stud or bolt
- ▶ Conversion mounting studs sold separately

**Built to Order**

Backed by our Unconditional Lifetime Warranty

[www.ctconline.com](http://www.ctconline.com) | [sales@ctconline.com](mailto:sales@ctconline.com) | 585-924-5900

# MH114-3T



VIBRATION ANALYSIS HARDWARE

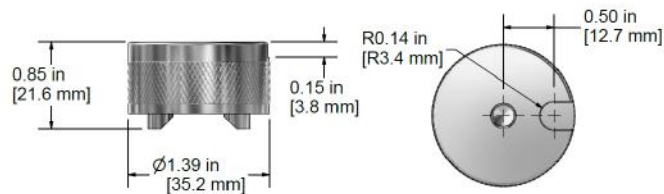
Multipurpose 2 Rail Magnet Mounting Base with 1/4-28 Tapped Hole and Triaxial Alignment Notch, 50 lbs. Pull Strength, 1.39" (35.2 mm) OD, 0.85" (21.6 mm) Height



## Product Features

Triaxial alignment notch locates CTC triaxial accelerometers consistently

- ▶ Durable 303 Stainless Steel case and mounting hole
- ▶ High strength Neodymium Iron Boron magnet optimizes pull strength and performance
- ▶ 2 rail mounting system allows measurements on flat and curved surfaces



## Specifications

Max Temperature	266°F (130°C)
Case Material	303 Stainless Steel
Magnet Material	Neodymium Iron Boron
Dimensions	1.39" (35.2 mm) OD, .85" (21.6 mm) Height
Pull Strength	50 lbs. (23 kg)
Sensor Mounting	1/4-28 Mounting Hole

## Chemical Compatibilities for Reference

- ▶ Gasoline - A
- ▶ Methanol - A
- ▶ Lubricants - A

## Compatibility

- ▶ Compatible with all sensors with 1/4"-28 mounting stud or bolt
- ▶ Conversion mounting studs sold separately

Stock Product

Backed by our Unconditional Lifetime Warranty

[www.ctconline.com](http://www.ctconline.com) | [sales@ctconline.com](mailto:sales@ctconline.com) | 585-924-5900



# MH115-2A

Multipurpose 2 Rail Magnet Mounting Base with 1/4-28 Blind Tapped Hole, 95 lbs. Pull Strength, 1.85" (46.99 mm) OD, 1.08" (27.43 mm) Height

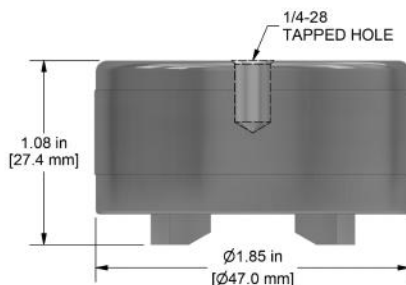


VIBRATION ANALYSIS HARDWARE



## Product Features

- ▶ Durable 303 Stainless Steel case and mounting hole
- ▶ High strength Neodymium Iron Boron magnet optimizes pull strength and performance
- ▶ 2 rail mounting system allows measurements on flat and curved surfaces



## Specifications

Max Temperature	266°F (130°C)
Case Material	303 Stainless Steel
Magnet Material	Neodymium Iron Boron
Dimensions	1.85" (47 mm) OD, 1.08" (27.43 mm) Height
Pull Strength	95 lbs. (43 kg)
Sensor Mounting	1/4-28 Mounting Hole

## Chemical Compatibilities for Reference

- ▶ Gasoline - A
- ▶ Methanol - A
- ▶ Lubricants - A

## Compatibility

- ▶ Compatible with all sensors with 1/4"-28 mounting stud or bolt
- ▶ Conversion mounting studs sold separately

Stock Product

Backed by our Unconditional Lifetime Warranty

[www.ctconline.com](http://www.ctconline.com) | [sales@ctconline.com](mailto:sales@ctconline.com) | 585-924-5900

# MH128-1A



VIBRATION ANALYSIS HARDWARE

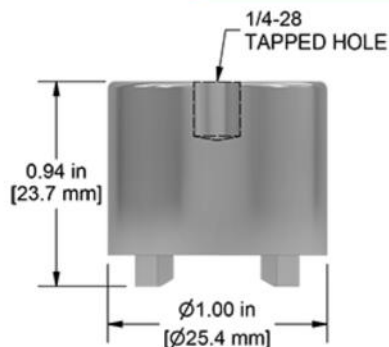
Multipurpose 2 Rail Magnet Mounting Base with 1/4-28 Blind Tapped Hole, 30 lbs. Pull Strength, 1" (25.4 mm) OD, 0.94" (23.88 mm) Height



## Product Features

2 rail mounting system allows measurements on flat and curved surfaces

- ▶ Durable 303 Stainless Steel case and mounting hole
- ▶ High strength Neodymium Iron Boron magnet optimizes pull strength and performance
- ▶ Magnet Leg Rust Prevention Tips:
  - >Store the product in original packaging until it needs to be installed
  - >Ensure the steel is coated or oiled to prevent rusting



## Specifications

Max Temperature	266°F (130°C)
Case Material	303 Stainless Steel
Magnet Material	Neodymium Iron Boron
Dimensions	1.00" (25 mm) OD, .94" (24 mm) Height
Pull Strength	30 lbs. (14 kg)
Sensor Mounting	1/4-28 Mounting Hole

## Chemical Compatibilities for Reference

- ▶ Gasoline - A
- ▶ Methanol - A
- ▶ Lubricants - A

## Compatibility

- ▶ Compatible with all sensors with 1/4"-28 mounting stud or bolt
- ▶ Conversion mounting studs sold separately

Stock Product

Backed by our Unconditional Lifetime Warranty

[www.ctconline.com](http://www.ctconline.com) | [sales@ctconline.com](mailto:sales@ctconline.com) | 585-924-5900

# MH137-1A



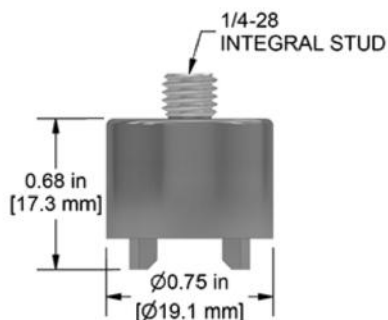
VIBRATION ANALYSIS HARDWARE

Multipurpose 2 Rail Magnet Mounting Base with 1/4-28 Integral Mounting Stud, 15 lbs. Pull Strength, 0.75" (19.05 mm) OD, 0.68" (17.3 mm) Height



## Product Features

- ▶ Durable 303 Stainless Steel case and mounting stud
- ▶ High strength Neodymium Iron Boron magnet optimizes pull strength and performance
- ▶ 2 rail mounting system allows measurements on flat and curved surfaces



## Specifications

Max Temperature	266°F (130°C)
Case Material	303 Stainless Steel
Magnet Material	Neodymium Iron Boron
Dimensions	.75" (19 mm) OD, .68" (17 mm) Height
Pull Strength	15 lbs. (6,8 kg)
Sensor Mounting	1/4-28 Integral Stud

## Chemical Compatibilities for Reference

- ▶ Gasoline - A
- ▶ Methanol - A
- ▶ Lubricants - A

## Compatibility

- ▶ Compatible with all top exit sensors with 1/4"-28 mounting holes

Stock Product

Backed by our Unconditional Lifetime Warranty

[www.ctconline.com](http://www.ctconline.com) | [sales@ctconline.com](mailto:sales@ctconline.com) | 585-924-5900

# MH140-1A



VIBRATION ANALYSIS HARDWARE

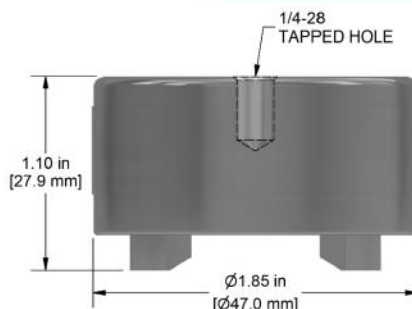
Ultra Strong Multipurpose 2 Rail Magnet Mounting Base with 1/4-28 Blind Tapped Hole, 120 lbs. Pull Strength, 1.85" (46.99 mm) OD, 1.1" (27.94) Height



## Product Features

2 rail mounting system allows measurements on flat and curved surfaces

- ▶ Durable 303 Stainless Steel case and mounting hole
- ▶ High strength Neodymium Iron Boron magnet optimizes pull strength and performance
- ▶ Magnet Leg Rust Prevention Tips:
  - >Store the product in original packaging until it needs to be installed
  - >Ensure the steel is coated or oiled to prevent rusting



## Specifications

Max Temperature	266°F (130°C)
Case Material	303 Stainless Steel
Magnet Material	Neodymium Iron Boron
Dimensions	1.85" (47 mm) OD, 1.10" (28 mm) Height
Pull Strength	120 lbs. (54 kg)
Sensor Mounting	1/4-28 Mounting Hole

## Chemical Compatibilities for Reference

- ▶ Gasoline - A
- ▶ Methanol - A
- ▶ Lubricants - A

## Compatibility

- ▶ Compatible with all sensors with 1/4"-28 mounting stud or bolt
- ▶ Conversion mounting studs sold separately

Stock Product

Backed by our Unconditional Lifetime Warranty

[www.ctconline.com](http://www.ctconline.com) | [sales@ctconline.com](mailto:sales@ctconline.com) | 585-924-5900



# MH141-1A



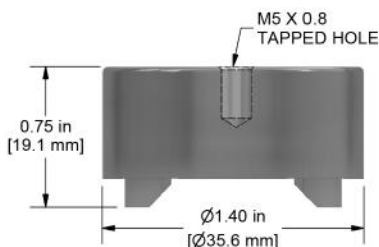
VIBRATION ANALYSIS HARDWARE

Multipurpose 2 Rail Magnet Mounting Base with M5 Blind Tapped Hole, 50 lbs. Pull Strength, 1.4" (35.56 mm) OD, 0.75" (19.05 mm) Height



## Product Features

- ▶ Durable 303 Stainless Steel case and mounting hole
- ▶ High strength Neodymium Iron Boron magnet optimizes pull strength and performance
- ▶ 2 rail mounting system allows measurements on flat and curved surfaces



## Specifications

Max Temperature	266°F (130°C)
Case Material	303 Stainless Steel
Magnet Material	Neodymium Iron Boron
Dimensions	1.40" (36 mm) OD, .75" (19 mm) Height
Pull Strength	50 lbs. (23 kg)
Sensor Mounting	M5 Mounting Hole

## Chemical Compatibilities for Reference

- ▶ Gasoline - A
- ▶ Methanol - A
- ▶ Lubricants - A

## Compatibility

- ▶ Compatible with all sensors with M5 x 0.08 mounting holes
- ▶ Conversion mounting studs sold separately

Stock Product

Backed by our Unconditional Lifetime Warranty

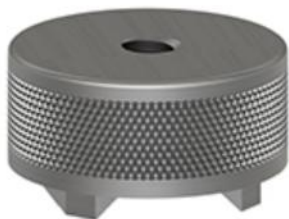
[www.ctconline.com](http://www.ctconline.com) | [sales@ctconline.com](mailto:sales@ctconline.com) | 585-924-5900

# MH142-1A



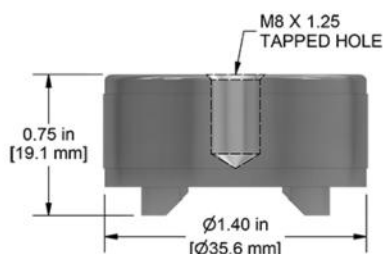
VIBRATION ANALYSIS HARDWARE

Multipurpose 2 Rail Magnet Mounting Base with M8x1.25 Blind Tapped Hole, 50 lbs. Pull Strength, 1.4" (35.56 mm) OD, 0.75" (19.05 mm) Height



## Product Features

- ▶ Durable 303 Stainless Steel case and mounting hole
- ▶ High strength Neodymium Iron Boron magnet optimizes pull strength and performance
- ▶ 2 rail mounting system allows measurements on flat and curved surfaces



## Specifications

Max Temperature	266°F (130°C)
Case Material	303 Stainless Steel
Magnet Material	Neodymium iron Boron
Dimensions	1.40" (36 mm) OD, .75" (19 mm) Height
Pull Strength	50 lbs. (23 kg)
Sensor Mounting	M8x1.25 Mounting Hole

## Chemical Compatibilities for Reference

- ▶ Gasoline - A
- ▶ Methanol - A
- ▶ Lubricants - A

## Compatibility

- ▶ Compatible with all sensors that feature an M8 mounting stud
- ▶ Conversion mounting studs sold separately

Stock Product

Backed by our Unconditional Lifetime Warranty

[www.ctconline.com](http://www.ctconline.com) | [sales@ctconline.com](mailto:sales@ctconline.com) | 585-924-5900

# MH147-1A

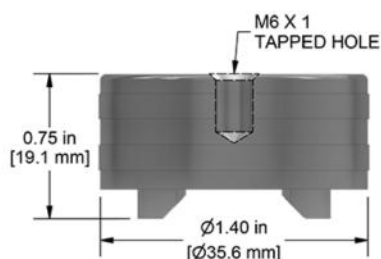


VIBRATION ANALYSIS HARDWARE

Multipurpose 2 Rail Magnet Mounting Base with M6x1 Blind Tapped Hole, 50 lbs. Pull Strength, 1.4" (35.56 mm) OD, 0.75" (19.05 mm) Height

## Product Features

- ▶ Durable 303 Stainless Steel case and mounting hole
- ▶ High strength Neodymium Iron Boron magnet optimizes pull strength and performance
- ▶ 2 rail mounting system allows measurements on flat and curved surfaces



## Specifications

Max Temperature	266°F (130°C)
Case Material	303 Stainless Steel
Magnet Material	Neodymium iron Boron
Dimensions	1.40" (36 mm) OD, .75" (19 mm) Height
Pull Strength	50 lbs. (23 kg)
Field Mounting	M6 Mounting Hole

## Chemical Compatibilities for Reference

- ▶ Gasoline - A
- ▶ Methanol - A
- ▶ Lubricants - A

## Compatibility

- ▶ Compatible with M6 stud or bolt
- ▶ Conversion mounting studs sold separately

Stock Product

Backed by our Unconditional Lifetime Warranty

[www.ctconline.com](http://www.ctconline.com) | [sales@ctconline.com](mailto:sales@ctconline.com) | 585-924-5900

# MH153-1A



VIBRATION ANALYSIS HARDWARE

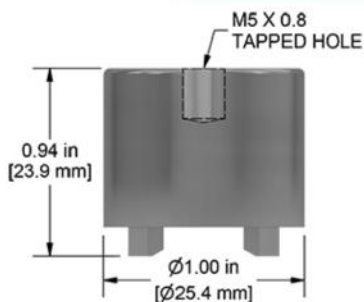
Multipurpose 2 Rail Magnet Mounting Base with M5 Blind Tapped Hole, 30 lbs. Pull Strength, 1" (25.4 mm) OD, 0.94" (23.88 mm) Height



## Product Features

2 rail mounting system allows measurements on flat and curved surfaces

- ▶ Durable 303 Stainless Steel case and mounting hole
- ▶ High strength Neodymium Iron Boron magnet optimizes pull strength and performance
- ▶ Magnet Leg Rust Prevention Tips:
  - >Store the product in original packaging until it needs to be installed
  - >Ensure the steel is coated or oiled to prevent rusting



## Specifications

Max Temperature	266°F (130°C)
Case Material	303 Stainless Steel
Magnet Material	Neodymium Iron Boron
Pull Strength	30 lbs. (14 kg)
Sensor Mounting	M5 Mounting Hole

## Chemical Compatibilities for Reference

- ▶ Gasoline - A
- ▶ Methanol - A
- ▶ Lubricants - A

## Compatibility

- ▶ Compatible with all sensors with M5 mounting stud or bolt

Stock Product

Backed by our Unconditional Lifetime Warranty

[www.ctconline.com](http://www.ctconline.com) | [sales@ctconline.com](mailto:sales@ctconline.com) | 585-924-5900



# MH214-3A



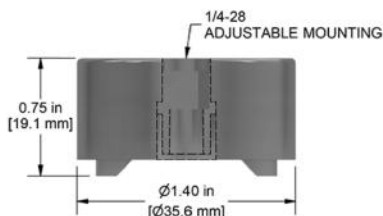
VIBRATION ANALYSIS HARDWARE

Multipurpose 2 Rail Magnet Mounting Base with 1/4-28 Blind Tapped Hole and Integral Rotating Mounting Nut, 50 lbs. Pull Strength, 1.4" (35.56 mm) OD, 0.75" (19.05 mm) Height, Aluminum Wrench Included



## Product Features

- ▶ Rare Earth Magnetic base made from Neodymium material
- ▶ Provides accurate, consistent measurement points
- ▶ Adjustable pole alignment



## Specifications

Max Temperature	266°F (130°C)
Case Material	Stainless Steel
Dimensions	1.40" (36 mm) OD, .75" (19 mm) Height
Pull Strength	50 lbs. (23 kg)
Sensor Mounting	1/4-28 Integral Rotating Mounting Nut

## Chemical Compatibilities for Reference

- ▶ Gasoline - A
- ▶ Methanol - A
- ▶ Lubricants - A

## Compatibility

- ▶ Compatible with all sensors with 1/4"-28 mounting studs
- ▶ Conversion mounting studs available

Stock Product

Backed by our Unconditional Lifetime Warranty

[www.ctconline.com](http://www.ctconline.com) | [sales@ctconline.com](mailto:sales@ctconline.com) | 585-924-5900

# MH214-3B

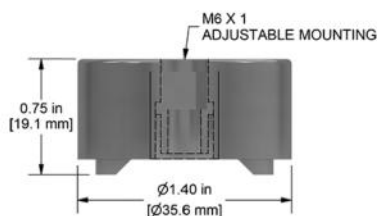


VIBRATION ANALYSIS HARDWARE

Multipurpose 2 Rail Magnet Mounting Base with M6 Blind Tapped Hole and Integral Rotating Mounting Nut, 50 lbs. Pull Strength, 1.4" (35.56) OD, 0.75" (19.05 mm) Height, Aluminum Wrench

## Product Features

- ▶ Rare Earth Magnetic base made from Neodymium material
- ▶ Provides accurate, consistent measurement points
- ▶ Adjustable pole alignment



## Specifications

Max Temperature	266°F (130°C)
Case Material	Stainless Steel
Dimensions	1.40" (36 mm) OD, .75" (19 mm) Height
Pull Strength	50 lbs. (23 kg)
Sensor Mounting	M6 Integral Rotating Mounting Nut

## Chemical Compatibilities for Reference

- ▶ Gasoline - A
- ▶ Methanol - A
- ▶ Lubricants - A

## Compatibility

- ▶ Compatible with all sensors with M6 mounting studs

Built to Order

Backed by our Unconditional Lifetime Warranty

[www.ctconline.com](http://www.ctconline.com) | [sales@ctconline.com](mailto:sales@ctconline.com) | 585-924-5900