

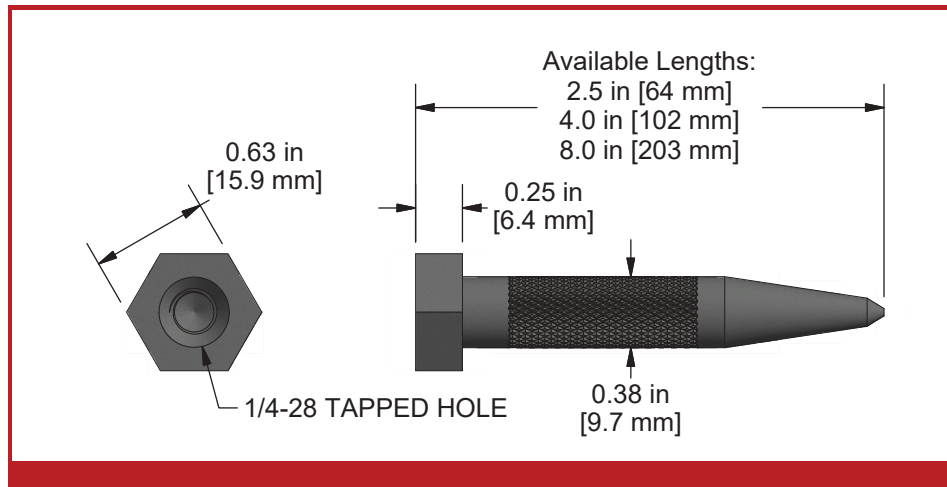
# MH119

Probe Tips for Easy Access



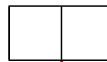
## Product Features

CTC's MH119 series probe tips connect directly to any standard 1/4"-28 threaded accelerometer. Each probe is made of 300 stainless steel to ensure long-term survival in tough factory environments. Tips allow easy access to measurement points that are in difficult to reach areas such as cooling fins.



## Ordering Information

MH119 -



### Length

- 1A = 2.5 in. (63,5 mm)
- 2A = 4.0 in. (101,6 mm)
- 3A = 8.0 in. (203,2 mm)

Backed by our Unconditional Lifetime Warranty

[www.ctconline.com](http://www.ctconline.com) | [sales@ctconline.com](mailto:sales@ctconline.com) | 585-924-5900