

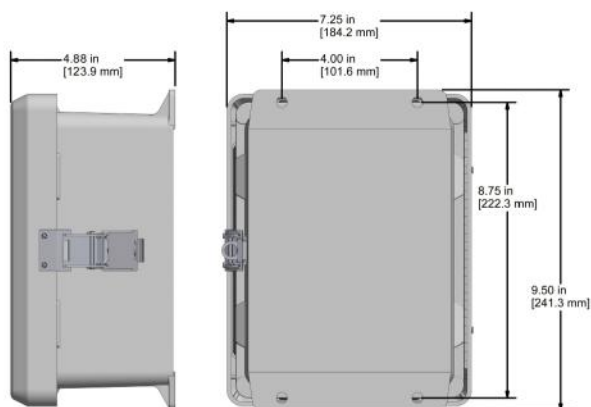
# PXE110

Proximity Probe Driver Enclosure, Fiberglass, NEMA 4X (IP66) Rated,  
Channel Options: 1 to 2



## Product Features

- Accommodates up to 2 Proximity Probe Drivers
- Enclosure protects components from dirt, dust, oil and water
- ▶ Optional DC Power Supply, switchable 110/220 VAC to 100/240 VAC to 24VDC power supply



## Specifications

Temperature Range	15° to 140°F (-10° to 60°C)
Enclosure Material	Fiberglass
Power	100-240 VAC
Inputs	Screw Terminal Block Directly Into Proximity Probe
Outputs	BNC Jack for Dynamic Signal and Terminal Blocks
Sensor Input Options	1 to 2 Channels
Rating	NEMA 4X (IP66)
Door Closure	Snap Latches
Dimensions	7.25 x 9.50 x 4.88 in (184.2 x 241.3 x 123.9 mm)
Resistance	Resistant to Hose Directed Fluid and Corrosion

## Ordering Information

PXE    -  -

Enclosure Type	Add Ons	Channels	Enclosure Entry	Output Options
110 = Fiberglass Enclosure 210 = Stainless Steel Enclosure	Blank = No Add Ons Included P = Power Supply	01 = 1 Channel 02 = 2 Channels	A = User Defined* B = 3/4 in. Conduit Fitting** and 1/2 in. Conduit Fitting for Power† C = Nylon Cord Grips and 1/2 in. Conduit for Power*	A = User Defined* B = 3/4 in. Conduit Fitting**

\*No punch outs are provided in the enclosure for cable entry. User may install any fitting required  
\*\*For use with conduit.  
†1/2 in. conduit fitting included on power supply options only

Lifetime Warranty on Materials & Workmanship  
www.ctconline.com | sales@ctconline.com | 585-924-5900

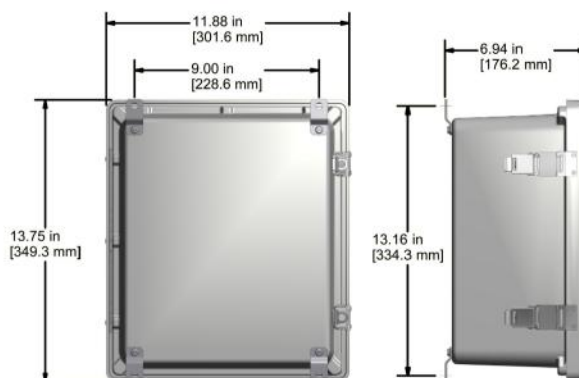
# PXE150

Proximity Probe Driver Enclosure, Fiberglass, NEMA 4X (IP66) Rated, Channel Options: 1 to 6



## Product Features

- Accommodates up to 6 Proximity Probe Drivers
- Enclosure protects components from dirt, dust, oil and water
- ▶ Optional DC Power Supply, switchable 110/220 VAC to 100/240 VAC to 24VDC power supply



## Specifications

Temperature Range	15° to 140°F (-10° to 60°C)
Enclosure Material	Fiberglass
Power	100-240 VAC
Inputs	Screw Terminal Block Directly Into Proximity Probe
Outputs	BNC Jack for Dynamic Signal and Terminal Blocks
Sensor Input Options	1 - 6 Channels
Rating	NEMA 4X (IP66)
Door Closure	Snap Latches
Dimensions	11.73 x 13.74 x 6.93 in (298 x 349 x 176 mm)
Resistance	Resistant to Hose Directed Fluid and Corrosion

## Ordering Information

PXE     -   -

Enclosure Type	Temperature	Channels	Enclosure Entry	Enclosure Exit
150 - Fiberglass Enclosure 250 - Stainless Steel Enclosure	Blank - No Power Supply P - Power Supply	01 - 1 Channel 02 - 2 Channels 03 - 3 Channels 04 - 4 Channels 05 - 5 Channels 06 - 6 Channels	A - None B - 1 In. Conduit Fitting* and ½ In. Conduit Fitting for Power* C - Cord Grips and ½ In. Conduit Fitting for Power*	A - None B - Conduit Fitting*

\*Rigid Body Conduit  
\*½ In. Conduit Fitting Included on Power Supply Options Only.

Lifetime Warranty on Materials & Workmanship  
www.ctconline.com | sales@ctconline.com | 585-924-5900

# PXE150P

Proximity Probe Driver Enclosure with Power Supply Included, Fiberglass, NEMA 4X (IP66) Rated, Channel Options: 1 to 6

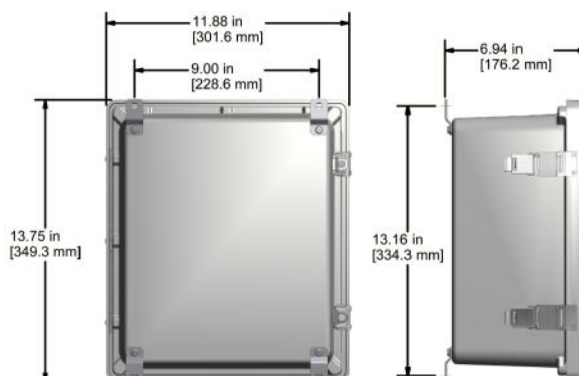


## Product Features

Accommodates up to 6 Proximity Probe Drivers

Enclosure protects components from dirt, dust, oil and water

- ▶ For use with DD100180, DX330180 & DX330980 Series Proximity Probe Drivers
- ▶ Power Supply Included: switchable 110/220 VAC to 100/240 VAC to 24VDC



## Specifications

Temperature Range	15° to 140°F (-10° to 60°C)
Enclosure Material	Fiberglass
Power	100 - 240 VAC
Inputs	Screw Terminal Block Directly Into Proximity Probe
Outputs	BNC Jack for Dynamic Signal and Terminal Blocks
Sensor Input Options	1 - 6 Channels
Rating	NEMA 4X (IP66)
Door Closure	Snap Latches
Dimensions	11.73 x 13.74 x 6.93 in (298 x 349 x 176 mm)
Resistance	Resistant to Hose Directed Fluid and Corrosion

## Ordering Information

PXE  -  -  -

Enclosure Type	Temperature	Channels	Enclosure Entry	Enclosure Exit
150 - Fiberglass Enclosure 250 - Stainless Steel Enclosure	Blank - No Power Supply P - Power Supply	01 - 1 Channel 02 - 2 Channels 03 - 3 Channels 04 - 4 Channels 05 - 5 Channels 06 - 6 Channels	A - None B - 1 In. Conduit Fitting* and ½ In. Conduit Fitting for Power* C - Cord Grips and ½ In. Conduit Fitting for Power*	A - None B - Conduit Fitting*

\*Rigid Body Conduit  
½ In. Conduit Fitting included on Power Supply Options Only.

Lifetime Warranty on Materials & Workmanship

www.ctconline.com | sales@ctconline.com | 585-924-5900

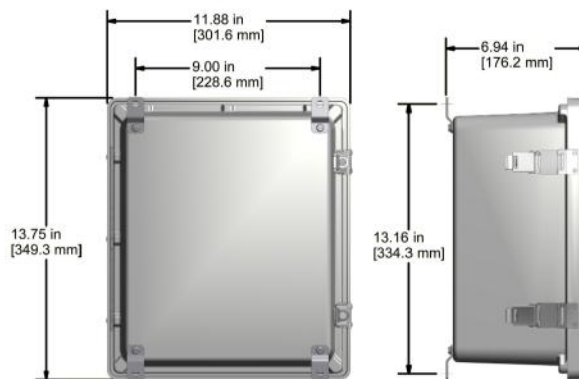
# PXE150T

Proximity Probe Driver Enclosure with Terminal Blocks Included, Fiberglass, NEMA 4X (IP66) Rated, Channel Options: 1 to 6



## Product Features

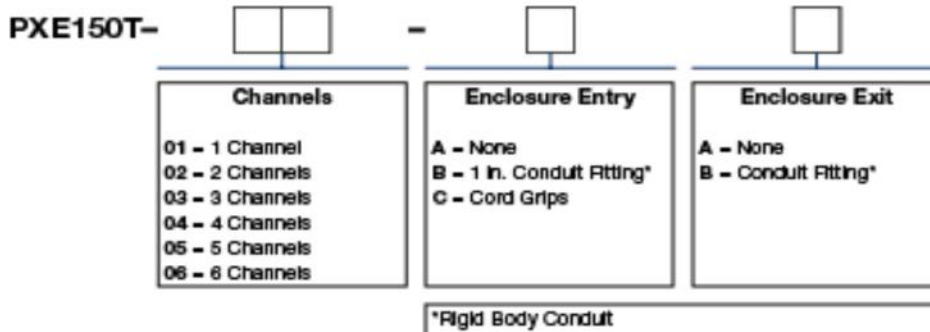
- Accommodates up to 6 Proximity Probe Drivers
- Enclosure protects components from dirt, dust, oil, & water
- ▶ For use with 4-20 mA Output Drivers
- ▶ Accommodates up to 6 Terminal Blocks



## Specifications

Temperature Range	15° to 140°F (-10° to 60°C)
Enclosure Material	Fiberglass
Inputs	Screw Terminal Blocks
Outputs	BNC Jack for Dynamic Signal and Terminal Blocks
Sensor Input Options	298 x 349 x 176 mm
Rating	NEMA 4X
Dimensions	11.73 x 13.74 x 6.93 in (298 x 349 x 176 mm)
Resistance	Resistant to Hose Directed Fluid and Corrosion

## Ordering Information



Lifetime Warranty on Materials & Workmanship  
[www.ctconline.com](http://www.ctconline.com) | [sales@ctconline.com](mailto:sales@ctconline.com) | 585-924-5900



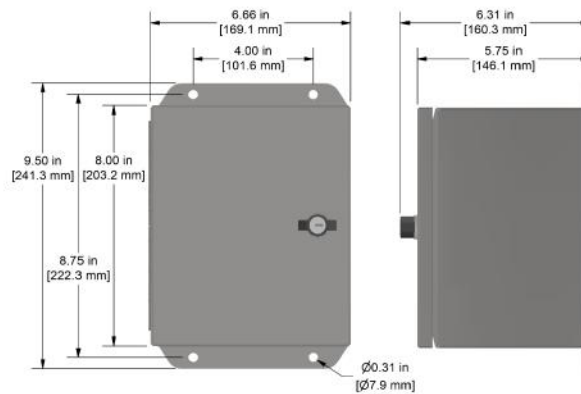
# PXE210

Proximity Probe Driver Enclosure, Stainless Steel, NEMA 4X (IP66)  
Rated, Channel Options 1 to 2



## Product Features

- Accommodates up to 2 Proximity Probe Drivers
- Enclosure protects components from dirt, dust, oil and water
- ▶ Optional DC Power Supply, switchable 110/220 VAC to 100/240 VAC to 24VDC power supply



## Specifications

Temperature Range	15° to 140°F (-10° to 60°C)
Enclosure Material	Stainless Steel
Power	100 - 240 VAC
Inputs	Screw Terminal Block Directly Into Proximity Probe
Outputs	BNC Jack for Dynamic Signal and Terminal Blocks
Sensor Input Options	1 - 2 Channels
Rating	NEMA 4X (IP66)
Door Closure	Keyed Slot
Resistance	Resistant to Hose Directed Fluid and Corrosion

## Ordering Information

PXE    -  -

Enclosure Type	Add Ons	Channels	Enclosure Entry	Output Options
110 = Fiberglass Enclosure 210 = Stainless Steel Enclosure	Blank = No Add Ons Included P = Power Supply	01 = 1 Channel 02 = 2 Channels	A = User Defined* B = 3/8 in. Conduit Fitting** and 1/2 in. Conduit Fitting for Power† C = Nylon Cord Grips and 1/2 in. Conduit for Power†	A = User Defined* B = 3/8 in. Conduit Fitting**

\*No punch outs are provided in the enclosure for cable entry. User may install any fitting required  
\*\*For use with conduit.  
†1/2 in. conduit fitting included on power supply options only

Lifetime Warranty on Materials & Workmanship  
www.ctconline.com | sales@ctconline.com | 585-924-5900

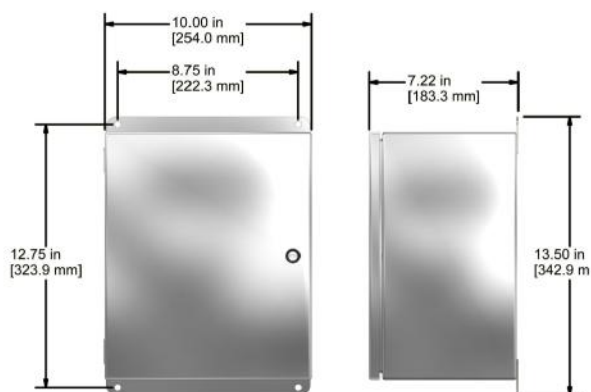
# PXE250

Proximity Probe Driver Enclosure, Stainless Steel, NEMA 4X (IP66)  
Rated, Channel Options 1 to 6



## Product Features

- Accommodates up to 6 Proximity Probe Drivers
- Enclosure protects components from dirt, dust, oil and water
- ▶ Optional DC Power Supply, switchable 110/220 VAC to 100/240 VAC to 24VDC power supply



## Specifications

Temperature Range	15° to 140°F (-10° to 60°C)
Enclosure Material	Stainless Steel
Power	100 - 240 VAC
Inputs	Screw Terminal Block Directly Into Proximity Probe
Outputs	BNC Jack for Dynamic Signal and Terminal Blocks
Sensor Input Options	1 - 6 Channels
Rating	NEMA 4X (IP66)
Door Closure	Keyed Slot
Dimensions	10.00 x 13.50 x 7.24 in (254 x 343 x 184 mm)
Resistance	Resistant to Hose Directed Fluid and Corrosion

## Ordering Information

PXE    -  -

Enclosure Type	Temperature	Channels	Enclosure Entry	Enclosure Exit
150 - Fiberglass Enclosure 250 - Stainless Steel Enclosure	Blank - No Power Supply P - Power Supply	01 - 1 Channel 02 - 2 Channels 03 - 3 Channels 04 - 4 Channels 05 - 5 Channels 06 - 6 Channels	A - None B - 1 In. Conduit Fitting* and ½ In. Conduit Fitting for Power* C - Cord Grips and ½ In. Conduit Fitting for Power*	A - None B - Conduit Fitting*

\*Rigid Body Conduit  
½ In. Conduit Fitting Included on Power Supply Options Only.

Lifetime Warranty on Materials & Workmanship  
www.ctconline.com | sales@ctconline.com | 585-924-5900

# PXE250P

Proximity Probe Driver Enclosure with Power Supply Included, Stainless Steel, NEMA 4X (IP66) Rated, Channel Options 1 to 6

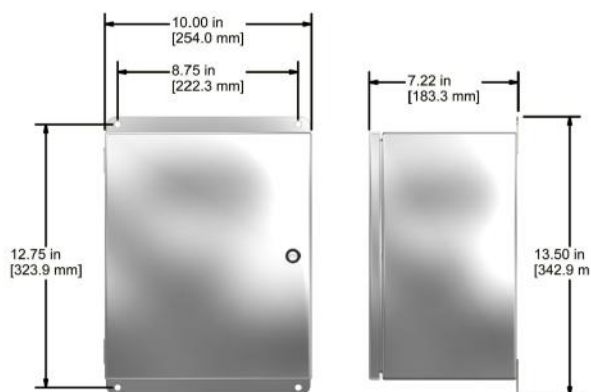


## Product Features

Accommodates up to 6 Proximity Probe Drivers

Enclosure protects components from dirt, dust, oil and water

- ▶ For use with DD100180, DX330180 & DX330980 Series Proximity Probe Drivers
- ▶ Power Supply included: switchable 110/220 VAC to 100/240 VAC to 24VDC



## Specifications

Temperature Range	15° to 140°F (-10° to 60°C)
Enclosure Material	Stainless Steel
Power	100 - 240 VAC
Inputs	Screw Terminal Block Directly Into Proximity Probe
Outputs	BNC Jack for Dynamic Signal and Terminal Blocks
Sensor Input Options	1 - 6 Channels
Rating	NEMA 4X (IP66)
Door Closure	Keyed Slot
Dimensions	10.00 x 13.50 x 7.24 in (254 x 343 x 184 mm)
Resistance	Resistant to Hose Directed Fluid and Corrosion

## Ordering Information

PXE  -  -  -  -

Enclosure Type	Temperature	Channels	Enclosure Entry	Enclosure Exit
150 - Fiberglass Enclosure 250 - Stainless Steel Enclosure	Blank - No Power Supply P - Power Supply	01 - 1 Channel 02 - 2 Channels 03 - 3 Channels 04 - 4 Channels 05 - 5 Channels 06 - 6 Channels	A - None B - 1 In. Conduit Fitting* and ½ In. Conduit Fitting for Power* C - Cord Grips and ½ In. Conduit Fitting for Power*	A - None B - Conduit Fitting*

\*Rigid Body Conduit  
½ In. Conduit Fitting included on Power Supply Options Only.

Lifetime Warranty on Materials & Workmanship

www.ctconline.com | sales@ctconline.com | 585-924-5900