

# Sensor Protection

## Flange Interface Adapters

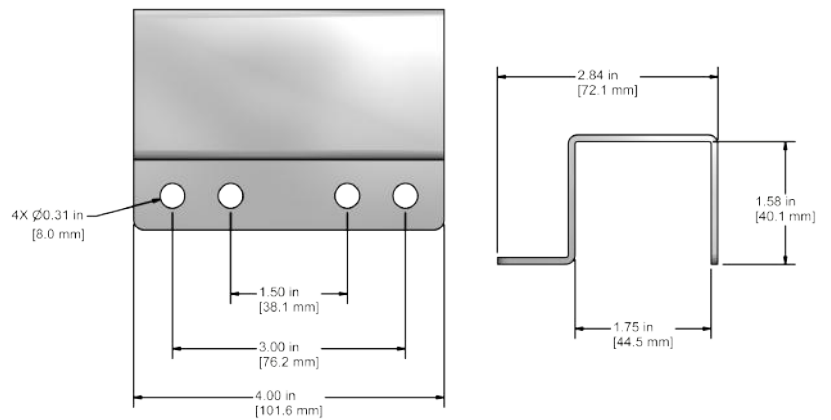


### MH148-1A

#### Stainless Steel Sensor Protector for Side Exit Sensors

For protection from falling debris, moving machinery parts and other physical damage.

- Four Mounting Holes Spaced for Convenient and Stable Mounting Options
- Designed to Protect Sensors and Connectors from Hazardous Conditions
- Durable and Weather Resistant

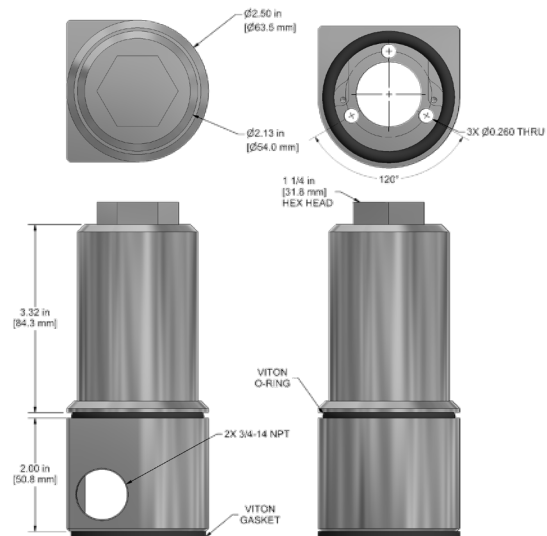


### MH152-1A

#### Aluminum Sensor Protector for Top Exit Sensors

For protection from falling debris, moving machinery parts and other physical damage.

- Convenient Wrench Flats for Installation
- Designed to Protect Sensors and Connectors from Hazardous Conditions
- Durable and Weather Resistant



Backed by our Unconditional Lifetime Warranty

[www.ctconline.com](http://www.ctconline.com) | [sales@ctconline.com](mailto:sales@ctconline.com) | 585-924-5900