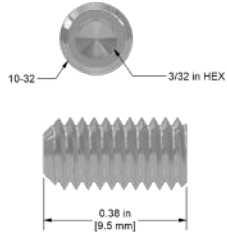


Mounting Studs



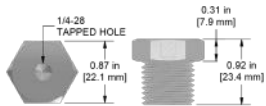
MH108-33B



18-8 Stainless Steel
Cup-point Set Screw,
10-32 Thread, $\frac{3}{8}$ in. Long

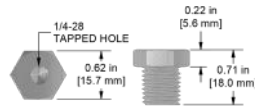
Specialty Mounting Adapters

MH108-14B



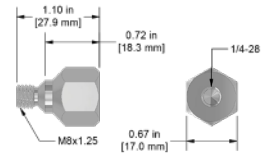
$\frac{1}{2}$ in. NPT to $\frac{1}{4}$ -28
Stainless Steel
Adapter Stud

MH108-16B



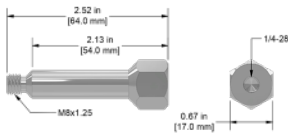
$\frac{1}{4}$ in. NPT to $\frac{1}{4}$ -28
Stainless Steel
Adapter Stud

MH143-1A



28 mm Stainless Steel
Hex Head Mounting Stud
for Accelerometers,
SPM Compatible

MH143-2A



64 mm Stainless Steel
Hex Head Mounting Stud
for Accelerometers,
SPM Compatible

Backed by our Unconditional Lifetime Warranty

www.ctconline.com | sales@ctconline.com | 585-924-5900

MH144-1A

Triaxial Mounting Block with 1/4-28 Captive Bolt

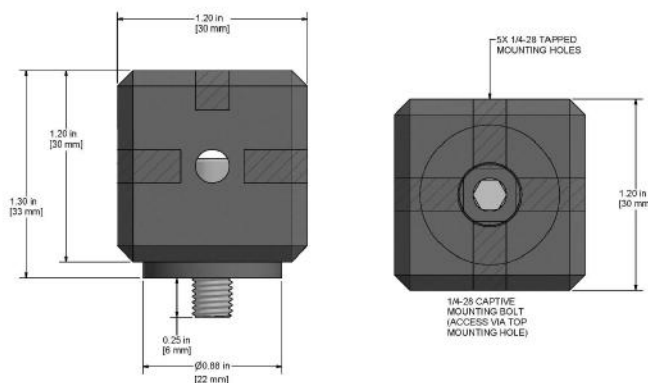


VIBRATION ANALYSIS HARDWARE



Product Features

- ▶ Low Cost
- ▶ Allows attachment of 3 single axis accelerometers
- ▶ Customizable positioning



Specifications

Case Material	17-4 Stainless Steel
Field Mounting	1/4-28 Captive Bolt

Chemical Compatibilities for Reference

- ▶ Gasoline - A
- ▶ Methanol - A
- ▶ Lubricants - A

Compatibility

- ▶ Compatible with all single axis, top exit accelerometers
- ▶ Conversion mounting studs sold separately

Built to Order

Backed by our Unconditional Lifetime Warranty

www.ctconline.com | sales@ctconline.com | 585-924-5900

IS311-1B

Conduit Elbow

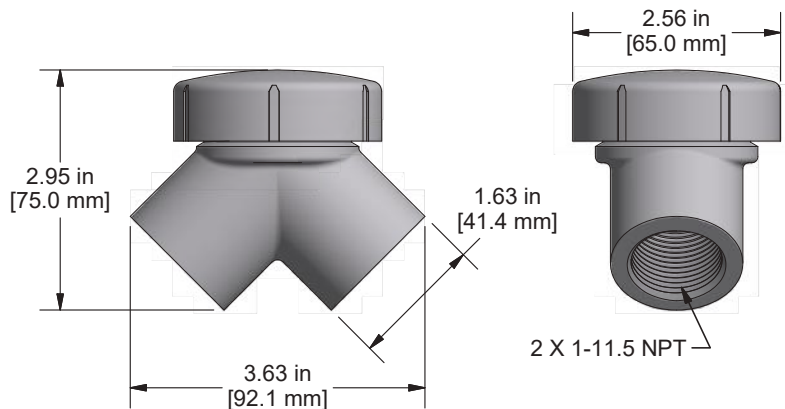


Product Features

Explosion Proof, Dust-Ignition Proof Elbow for use with Threaded Metal Conduit

- Screw-on cover for easy installation and removal
- Makes 90° bend in conduit runs

Line Drawing



Component Specifications

Location(s)

Class I, Division 1 and 2, Groups B,C,D
Class II, Division 1 and 2, Groups E,F, G
Class II
Class 1, Zone 1 and 2, Groups IIA and IIB + H2

Material

Malleable Iron

Finish

Triplecoat – (1) zinc electroplate, (2) chromate, (3) epoxy powder coat

Size

1 inch

To be used with CTC Hazardous Rated Sensors

LP902-XXX-5XC, LP812-XXX-5XC, LP912-XXX-5XC

Backed by our Unconditional Lifetime Warranty

www.ctconline.com | sales@ctconline.com | 585-924-5900