

JB110 Extended Capacity



VIBRATION ANALYSIS HARDWARE

iBOX Single Axis Vibration Switch Box, Fiberglass Enclosure, NEMA 4X (IP66) Rated, Sensor Input Options: 24 to 48 Single Output Sensors

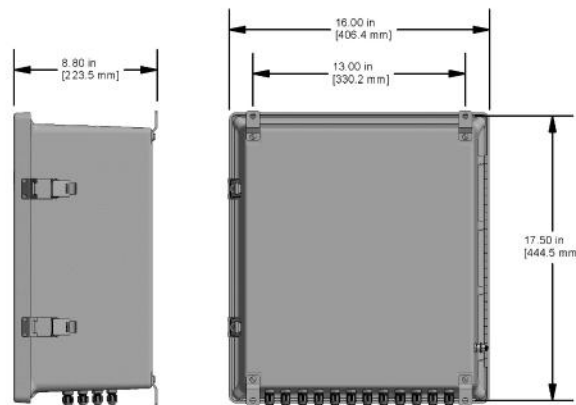


Product Features

Fully featured vibration junction box with IEPE sensor condition indicator lights, and convenient interface with fold-forward panel for easy wiring.

Internally earth grounded for noise reduction

- ▶ Accepts up to 48 single output sensor inputs for a maximum of 48 channels of measurement
- ▶ Includes an IEPE bias indicator light to identify when data is to be collected or to show open and short circuit conditions
- ▶ Flip down panel allows for convenient wiring to terminal blocks



Specifications

Temperature Range	-58 to 180°F (-50 to 82°C)
Enclosure Material	Fiberglass
Inputs	+, -, Shield
Outputs	BNC Jack and 2 Pin MIL
Continuous Output	Multi-pin connector for interface with online systems (optional) (Requires JB907-3A)
Sensor Input Options	24, 36, 48
Rating	NEMA 4X (IP66)
Door Closure	Snap Latch
Dimensions	16.00 x 17.50 x 8.80 in (406 x 445 x 224 mm)
Cord Grips	Optional
Switch	2 Pole
Bias Indicator	1 Channel
Resistance	Resistant to Hose Directed Fluid and Corrosion

Backed by our Unconditional Lifetime Warranty

www.ctconline.com | sales@ctconline.com | 585-924-5900

JB110 Standard Size



VIBRATION ANALYSIS HARDWARE

iBOX Single Axis Vibration Switch Box, Fiberglass Enclosure, NEMA 4X (IP66) Rated, Sensor Input Options: 4 to 12 Single Output Sensors

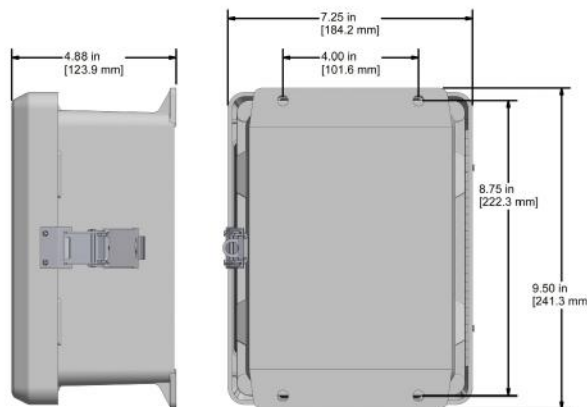


Product Features

Fully featured vibration junction box with IEPE sensor condition indicator lights, and convenient interface with fold-forward panel for easy wiring.

Internally earth grounded for noise reduction

- ▶ Accepts up to 12 single output sensor inputs for a maximum of 12 channels of measurement
- ▶ Includes an IEPE bias indicator light to identify when data is to be collected or to show open and short circuit conditions
- ▶ Flip down panel allows for convenient wiring to terminal blocks



Specifications

Temperature Range	-58 to 180°F (-50 to 82°C)
Enclosure Material	Fiberglass
Inputs	+, -, Shield
Outputs	BNC Jack and 2 Pin MIL
Continuous Output	Multi-pin connector for interface with online systems (optional, requires JB907-3A)
Sensor Input Options	4, 6, 8, 10, 12
Rating	Nema 4X (IP66)
Door Closure	Snap Latch
Dimensions	7.25 x 9.50 x 4.88 in (184 x 241 x 124 mm)
Cord Grips	Optional
Switch	2 Pole
Bias Indicator	1 Channel
Resistance	Resistant to Hose Directed Fluid and Corrosion

Ordering Information

JB -

Enclosure Type	Channels	Input Options (Spring Cage Terminal Blocks)	Input Options (Screw Terminal Blocks)
110 = Single Channel Fiberglass Enclosure 210 = Single Channel Stainless Steel Enclosure 310 = Single Channel Stainless Steel Enclosure, Sloped Top	4 = 4 Channels 6 = 6 Channels 8 = 8 Channels 10 = 10 Channels 12 = 12 Channels	A = User Defined with Spring Cage Terminal Blocks* B = Conduit Fitting with Spring Cage Terminal Blocks** C = Nylon Cord Grips with Spring Cage Terminal Blocks E = BNC Cable Connection with Spring Cage Terminal Blocks N = Nickel-Plated Brass Cord Grips with Spring Cage Terminal Blocks* S = Stainless Steel Cord Grips with Spring Cage Terminal Blocks*	G = User Defined with Screw Terminal Blocks* H = Conduit Fitting with Screw Terminal Blocks** I = Nylon Cord Grips with Screw Terminal Blocks J = BNC Cable Connection with Screw Terminal Blocks K = Stainless Steel Cord Grips with Screw Terminal Blocks* L = Nickel-Plated Brass Cord Grips with Screw Terminal Blocks*

*No punch cuts are provided in the enclosure for cable entry. User may install any fittings required.
 **For use with conduit.
 †Stainless Steel enclosures only.

Backed by our Unconditional Lifetime Warranty

www.ctconline.com | sales@ctconline.com | 585-924-5900

JB120 Extended Capacity



VIBRATION ANALYSIS HARDWARE

iBOX Dual Input & Output Vibration Switch Box, Fiberglass
Enclosure, NEMA 4X (IP66) Rated, Sensor Input Options: 24 to 48
Dual Output Sensors

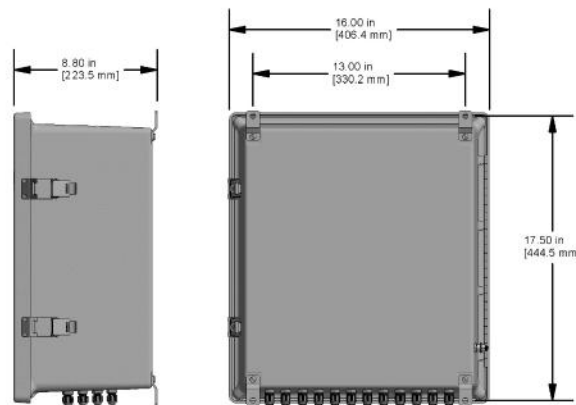


Product Features

Fully featured vibration junction box with IEPE sensor condition indicator lights, and convenient interface with fold-forward panel for easy wiring.

Internally earth grounded for noise reduction

- ▶ Accepts up to 48 biaxial or dual output vibration & temperature sensor inputs for a maximum of 96 channels of measurement
- ▶ Includes an IEPE bias indicator light to identify when data is to be collected or to show open and short circuit conditions
- ▶ Flip down panel allows for convenient wiring to terminal blocks



Specifications

Temperature Range	-58 to 180°F (-50 to 82°C)
Enclosure Material	Fiberglass
Inputs	A, B, C, Shield
Outputs	2x BNC Jack and 3 Pin MIL
Continuous Output	Multi-pin connector for interface with online systems (optional) (Requires JB931-3A)
Sensor Input Options	24, 36, 48
Rating	NEMA 4X (IP66)
Door Closure	Snap Latch
Dimensions	16.00 x 17.50 x 8.80 in (406 x 445 x 224 mm)
Cord Grips	Optional
Switch	3 Pole
Bias Indicator	1 Channel (A-Signal)
Resistance	Resistant to Hose Directed Fluid and Corrosion

Backed by our Unconditional Lifetime Warranty

www.ctconline.com | sales@ctconline.com | 585-924-5900

JB120 Standard Size



VIBRATION ANALYSIS HARDWARE

iBOX Dual Input & Output Vibration Switch Box, Fiberglass Enclosure, NEMA 4X (IP66) Rated, Sensor Input Options: 4 to 12 Dual Output Sensors

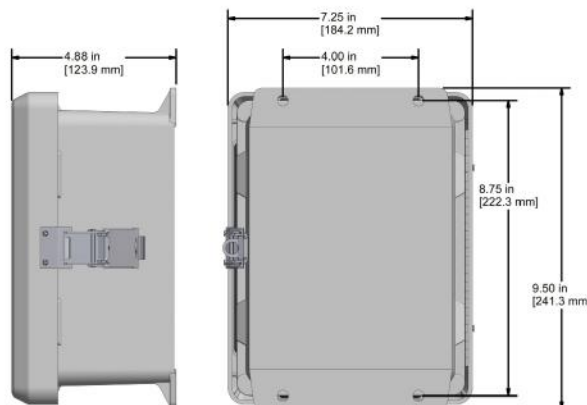


Product Features

Fully featured vibration junction box with IEPE sensor condition indicator lights, and convenient interface with fold-forward panel for easy wiring.

Internally grounded for noise reduction

- ▶ Accepts up to 12 biaxial or dual output vibration & temperature sensor inputs for a maximum of 24 channels of measurement
- ▶ Includes an IEPE bias indicator light to identify when data is to be collected or to show open and short circuit conditions
- ▶ Flip down panel allows for convenient wiring to terminal blocks



Specifications

Temperature Range	-58 to 180°F (-50 to 82°C)
Enclosure Material	Fiberglass
Inputs	A, B, C, Shield
Outputs	2x BNC Jack and 3 Pin MIL
Continuous Output	Multi-pin connector for interface with online systems (optional, requires JB931-3A)
Sensor Input Options	4, 6, 8, 10, 12
Rating	Nema 4X (IP66)
Door Closure	Snap Latch
Dimensions	7.25 x 9.50 x 4.88 in (184 x 241 x 124 mm)
Cord Grips	Optional
Switch	3 Pole
Bias Indicator	1 Channel (A-Signal)
Resistance	Resistant to Hose Directed Fluid and Corrosion

Ordering Information

JB -

Enclosure Type	Channels	Input Options	Input Options
120 - Dual Channel Fiberglass Enclosure 220 - Dual Channel Stainless Steel Enclosure 320 - Dual Channel Stainless Steel Enclosure, Sloped Top	4 - 4 Channels 6 - 6 Channels 8 - 8 Channels 10 - 10 Channels 12 - 12 Channels	A - User Defined with Spring Cage Terminal Blocks* B - Conduit Fitting with Spring Cage Terminal Blocks** C - Nylon Cord Grips with Spring Cage Terminal Blocks N - Nickel-Plated Brass Cord Grips with Spring Cage Terminal Blocks S - Stainless Steel Cord Grips with Spring Cage Terminal Blocks†	G - User Defined with Screw Terminal Blocks* H - Conduit Fitting with Screw Terminal Blocks** I - Nylon Cord Grips with Screw Terminal Blocks K - Stainless Steel Cord Grips with Screw Terminal Blocks† N - Nickel-Plated Brass Cord Grips with Screw Terminal Blocks†

*No punch cuts are provided in the enclosure for cable entry.
 *User may install any fittings required.
 **For use with conduit.
 †Stainless Steel enclosures only.

Backed by our Unconditional Lifetime Warranty

www.ctconline.com | sales@ctconline.com | 585-924-5900

JB130 Extended Capacity



VIBRATION ANALYSIS HARDWARE

iBOX Triaxial Input & Output Vibration Switch Box, Fiberglass Enclosure, NEMA 4X (IP66) Rated, Sensor Input Options: 24 to 48 Triaxial Sensors

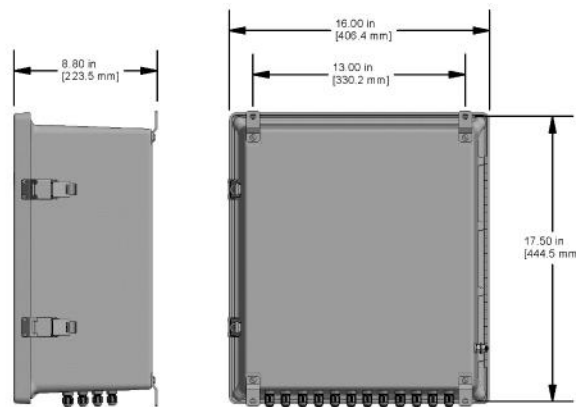


Product Features

Fully featured vibration junction box with IEPE sensor condition indicator lights, and convenient interface with fold-forward panel for easy wiring.

Internally grounded for noise reduction

- ▶ Accepts up to 48 triaxial sensor inputs for a maximum of 144 channels of measurement
- ▶ Includes an IEPE bias indicator light to identify when data is to be collected or to show open and short circuit conditions
- ▶ Flip down panel allows for convenient wiring to terminal blocks



Specifications

Temperature Range	-58 to 180°F (-50 to 82°C)
Enclosure Material	Fiberglass
Inputs	A, B, C, D, Shield
Outputs	3x BNC Jack and 4 Pin 'J'
Continuous Output	Multi-Pin connector for interface with online systems (requires JB933-1A)
Sensor Input Options	24, 36, 48
Rating	NEMA 4X (IP66)
Door Closure	Snap Latch
Dimensions	16.00 x 17.50 x 8.80 in (406 x 445 x 224 mm)
Cord Grips	Optional
Switch	4 Pole
Bias Indicator	3 Channel
Resistance	Resistant to Hose Directed Fluid and Corrosion

Backed by our Unconditional Lifetime Warranty

www.ctconline.com | sales@ctconline.com | 585-924-5900

JB130 Standard Size

iBOX Triaxial Input & Output Vibration Switch Box, Fiberglass Enclosure, NEMA 4X (IP66) Rated, Sensor Input Options: 4 to 12 Triaxial Sensors



VIBRATION ANALYSIS HARDWARE

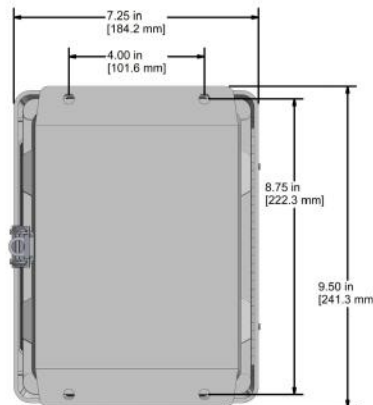


Product Features

Fully featured vibration junction box with IEPE sensor condition indicator lights, and convenient interface with fold-forward panel for easy wiring.

Internally grounded for noise reduction

- ▶ Accepts up to 12 triaxial sensor inputs for a maximum of 36 channels of measurement
- ▶ Includes an IEPE bias indicator light to identify when data is to be collected or to show open and short circuit conditions
- ▶ Flip down panel allows for convenient wiring to terminal blocks



Specifications

Temperature Range	-58 to 180°F (-50 to 82°C)
Enclosure Material	Fiberglass
Inputs	A, B, C, D, Shield
Outputs	3x BNC Jack and 4 Pin 'J'
Continuous Output	Multi-Pin connector for interface with online systems (requires JB933-1A)
Sensor Input Options	4, 6, 8, 10, 12
Rating	NEMA 4X (IP66)
Door Closure	Snap Latch
Dimensions	7.25 x 9.50 x 4.88 in (184 x 241 x 124 mm)
Cord Grips	Optional
Switch	4 Pole
Bias Indicator	3 Channel
Resistance	Resistant to Hose Directed Fluid and Corrosion

Ordering Information

JB <input type="checkbox"/> <input type="checkbox"/> <input type="checkbox"/> - <input type="checkbox"/> <input type="checkbox"/>	<input type="checkbox"/>		
Enclosure Type 130 = Triaxial Fiberglass Enclosure 230 = Triaxial Stainless Steel Enclosure 330 = Triaxial Stainless Steel Enclosure, Sloped Top	Channels 4 = 4 Channels 6 = 6 Channels 8 = 8 Channels 10 = 10 Channels 12 = 12 Channels	Input Options (Spring Cage Terminal Blocks) A = User Defined with Spring Cage Terminal Blocks* B = Conduit Fitting with Spring Cage Terminal Blocks** C = Nylon Cord Grips with Spring Cage Terminal Blocks N = Nickel-Plated Brass Cord Grips with Spring Cage Terminal Blocks* S = Stainless Steel Cord Grips with Spring Cage Terminal Blocks*	Input Options (Screw Terminal Blocks) G = User Defined with Screw Terminal Blocks* H = Conduit Fitting with Screw Terminal Blocks** I = Nylon Cord Grips with Screw Terminal Blocks K = Stainless Steel Cord Grips with Screw Terminal Blocks* L = Nickel-Plated Brass Cord Grips with Screw Terminal Blocks*
<small>*No punch cuts are provided in the enclosure for cable entry. User may install any fittings required. **For use with conduit. *Stainless Steel enclosures only.</small>			

Backed by our Unconditional Lifetime Warranty

www.ctconline.com | sales@ctconline.com | 585-924-5900

JB310



VIBRATION ANALYSIS HARDWARE

iBOX Single Axis Sloped Top Vibration Switch Box, Stainless Steel Enclosure, NEMA 4X (IP66) Rated, Sensor Input Options: 4 to 12 Single Output Sensors

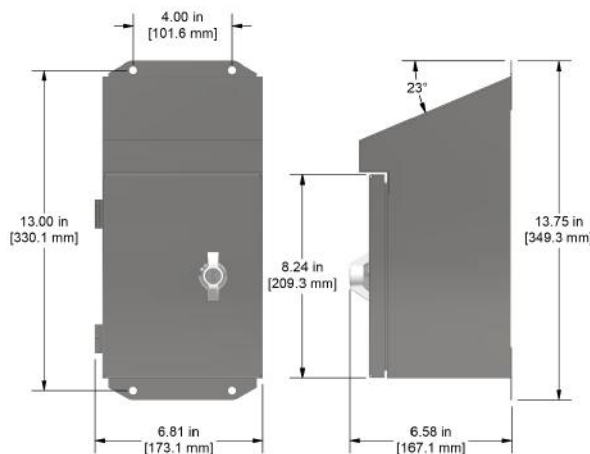


Product Features

Fully featured vibration junction box with IEPE sensor condition indicator lights, and convenient interface with fold-forward panel for easy wiring.

Internally Grounded for Noise Reduction

- ▶ Accepts up to 12 single output sensor inputs for a maximum of 12 channels of measurement
- ▶ Includes an IEPE bias indicator light to identify when data is to be collected or to show open and short circuit conditions
- ▶ Flip down panel allows for convenient wiring to terminal blocks



Specifications

Temperature Range	-58 to 180°F (-50 to 82°C)
Enclosure Material	Stainless Steel
Inputs	+, -, Shield
Outputs	BNC Jack and 2 Pin MIL
Continuous Output	Multi-pin connector for interface with online systems (optional, requires JB907-3A)
Sensor Input Options	4, 6, 8, 10, 12
Rating	NEMA 4X (IP66)
Door Closure	Twist Lock
Dimensions	6.24 x 13.75 x 6.12 in (159 x 349 x 155 mm)
Cord Grips	Optional
Switch	2 Pole
Bias Indicator	1 Channel
Resistance	Resistant to Hose Directed Fluid and Corrosion

Ordering Information

JB -

Enclosure Type	Channels	Input Options (Spring Cage Terminal Blocks)	Input Options (Screw Terminal Blocks)
110 = Single Channel Fiberglass Enclosure 210 = Single Channel Stainless Steel Enclosure 310 = Single Channel Stainless Steel Enclosure, Sloped Top	4 = 4 Channels 6 = 6 Channels 8 = 8 Channels 10 = 10 Channels 12 = 12 Channels	A = User Defined with Spring Cage Terminal Blocks* B = Conduit Fitting with Spring Cage Terminal Blocks** C = Nylon Cord Grips with Spring Cage Terminal Blocks E = BNC Cable Connection with Spring Cage Terminal Blocks N = Nickel-Plated Brass Cord Grips with Spring Cage Terminal Blocks† S = Stainless Steel Cord Grips with Spring Cage Terminal Blocks†	G = User Defined with Screw Terminal Blocks* H = Conduit Fitting with Screw Terminal Blocks** I = Nylon Cord Grips with Screw Terminal Blocks J = BNC Cable Connection with Screw Terminal Blocks K = Stainless Steel Cord Grips with Screw Terminal Blocks† L = Nickel-Plated Brass Cord Grips with Screw Terminal Blocks†

*No punch cuts are provided in the enclosure for cable entry. User may install any fittings required.
 **For use with conduit.
 †Stainless Steel enclosures only.

Backed by our Unconditional Lifetime Warranty

www.ctconline.com | sales@ctconline.com | 585-924-5900

JB320



VIBRATION ANALYSIS HARDWARE

iBOX Dual Input & Output Sloped Top Vibration Switch Box, Stainless Steel Enclosure, NEMA 4X (IP66) Rated, Sensor Input Options: 4 to 12 Dual Output Sensors

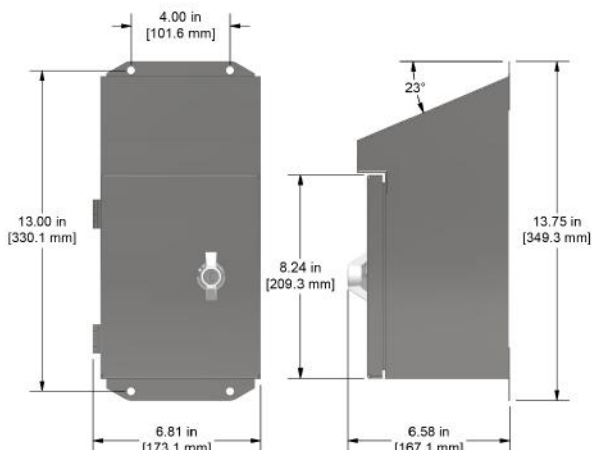


Product Features

Fully featured vibration junction box with IEPE sensor condition indicator lights, and convenient interface with fold-forward panel for easy wiring.

Includes an IEPE bias indicator light to identify when data is to be collected or to show open and short circuit conditions

- ▶ Accepts up to 12 dual output sensor inputs for a maximum of 24 channels of measurement
- ▶ Includes an IEPE bias indicator light to identify when data is to be collected or to show open and short circuit conditions
- ▶ Flip down panel allows for convenient wiring to terminal blocks



Specifications

Temperature Range	-58°F (-50°C) to 180°F (82°C)
Enclosure Material	Stainless Steel
Inputs	A, B, C, Shield
Outputs	2x BNC Jack and 3 Pin MIL
Continuous Output	Multi-pin connector for interface with online systems (optional, requires JB931-3A)
Sensor Input Options	4, 6, 8, 10, 12
Rating	Nema 4X (IP66)
Door Closure	Twist Lock
Dimensions	6.24 x 13.75 x 6.12 in (159 x 349 x 155 mm)
Cord Grips	Optional
Switch	3 Pole
Bias Indicator	1 Channel (A-Signal)
Resistance	Resistant to Hose Directed Fluid and Corrosion

Ordering Information

JB -

Enclosure Type	Channels	Input Options	Input Options
120 = Dual Channel Fiberglass Enclosure 220 = Dual Channel Stainless Steel Enclosure 320 = Dual Channel Stainless Steel Enclosure, Sloped Top	4 = 4 Channels 6 = 6 Channels 8 = 8 Channels 10 = 10 Channels 12 = 12 Channels	A = User Defined with Spring Cage Terminal Blocks* B = Conduit Fitting with Spring Cage Terminal Blocks** C = Nylon Cord Grips with Spring Cage Terminal Blocks N = Nickel-Plated Brass Cord Grips with Spring Cage Terminal Blocks* S = Stainless Steel Cord Grips with Spring Cage Terminal Blocks*	G = User Defined with Screw Terminal Blocks* H = Conduit Fitting with Screw Terminal Blocks** I = Nylon Cord Grips with Screw Terminal Blocks K = Stainless Steel Cord Grips with Screw Terminal Blocks* N = Nickel-Plated Brass Cord Grips with Screw Terminal Blocks*

*No punch cuts are provided in the enclosure for cable entry. User may install any fittings required.
 **For use with conduit.
 *Stainless Steel enclosures only.

Backed by our Unconditional Lifetime Warranty

www.ctconline.com | sales@ctconline.com | 585-924-5900

JB330



VIBRATION ANALYSIS HARDWARE

iBOX Triaxial Input & Output Vibration Switch Box, Sloped Top Enclosure, NEMA 4X (IP66) Rated, Sensor Input Options: 4 to 12 Triaxial Sensors

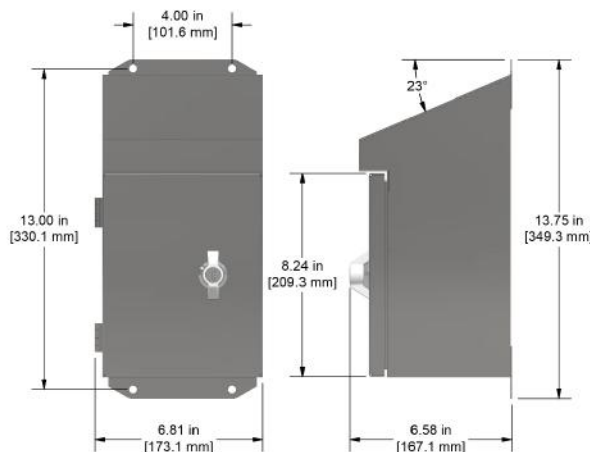


Product Features

Fully featured vibration junction box with IEPE sensor condition indicator lights, and convenient interface with fold-forward panel for easy wiring.

Internally earth grounded for noise reduction

- ▶ Accepts up to 12 triaxial sensor inputs for a maximum of 36 channels of measurement
- ▶ Includes an IEPE bias indicator light to identify when data is to be collected or to show open and short circuit conditions
- ▶ Flip down panel allows for convenient wiring to terminal blocks



Specifications

Temperature Range	-58 to 180°F (-50 to 82°C)
Enclosure Material	Stainless Steel
Inputs	A, B, C, D, Shield
Outputs	3x BNC Jack and 4 Pin 'J'
Continuous Output	Multi-Pin connector for interface with online systems (requires JB933-1A)
Sensor Input Options	4, 6, 8, 10, 12
Rating	NEMA 4X (IP66)
Door Closure	Twist Lock
Dimensions	6.24 x 13.75 x 6.12 in (159 x 349 x 155 mm)
Cord Grips	Optional
Switch	4 Pole
Bias Indicator	3 Channel
Resistance	Resistant to Hose Directed Fluid and Corrosion

Ordering Information

JB	□ □ □ □	-	□ □ □ □	□
Enclosure Type	Channels	Input Options (Spring Cage Terminal Blocks)	Input Options (Screw Terminal Blocks)	
130 = Triaxial Fiberglass Enclosure 230 = Triaxial Stainless Steel Enclosure 330 = Triaxial Stainless Steel Enclosure, Sloped Top	4 = 4 Channels 6 = 6 Channels 8 = 8 Channels 10 = 10 Channels 12 = 12 Channels	A = User Defined with Spring Cage Terminal Blocks* B = Conduit Fitting with Spring Cage Terminal Blocks** C = Nylon Cord Grips with Spring Cage Terminal Blocks N = Nickel-Plated Brass Cord Grips with Spring Cage Terminal Blocks* S = Stainless Steel Cord Grips with Spring Cage Terminal Blocks*	G = User Defined with Screw Terminal Blocks* H = Conduit Fitting with Screw Terminal Blocks** I = Nylon Cord Grips with Screw Terminal Blocks K = Stainless Steel Cord Grips with Screw Terminal Blocks* L = Nickel-Plated Brass Cord Grips with Screw Terminal Blocks*	

*No punch cuts are provided in the enclosure for cable entry. User may install any fittings required.
**For use with conduit.
*Stainless Steel enclosures only.

Backed by our Unconditional Lifetime Warranty
www.ctconline.com | sales@ctconline.com | 585-924-5900

SB102 Extended Capacity



VIBRATION ANALYSIS HARDWARE

Single Axis Vibration Switch Box, Fiberglass Enclosure, NEMA 4X (IP66) Rated, Sensor Input Options: 24 to 48 Single Output Sensor Inputs

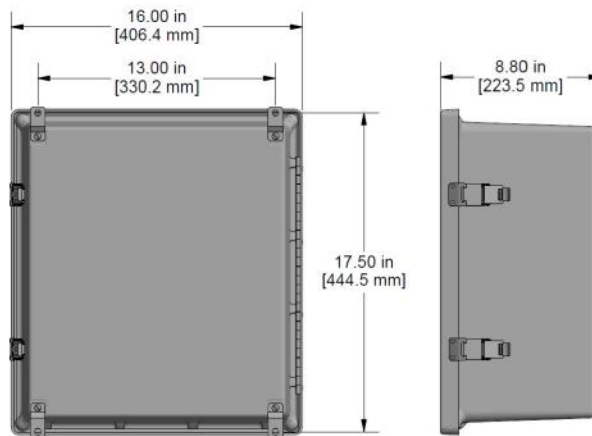


Product Features

Provides a switched output from remotely installed sensors to a data collector through a BNC and a 2 Pin MIL spec connector

Internally earth grounded for noise reduction

- ▶ Accepts inputs from up to 48 Single Axis Sensors
- ▶ Built-in online expansion jacks included
- ▶ Quick-release input terminal blocks for easy field wiring



Specifications

Temperature Range	-58°F (-50°C) to 180°F (82°C)
Enclosure Material	Fiberglass
Inputs	Terminal Block 3 Inputs per Channel (+ - Shield)
Outputs	BNC Jack and 2 Pin MIL
Continuous Output	Multi-pin connector for interface with online systems (requires JB905-1A/2A)
Sensor Input Options	24, 36, 48
Rating	NEMA 4X (IP66)
Door Closure	Snap Latch
Dimensions	16.00 x 17.50 x 8.80 in (406 x 445 x 224 mm)
Cord Grips	Optional
Resistance	Resistant to Hose Directed Fluid and Corrosion

Ordering Information

SB -

Enclosure Type	Number of Channels	Input Options
102 - Fiberglass Enclosure	24 - 24 Channels	A - User Defined Entry With Spring Cage Terminal Blocks*
202 - Stainless Steel Enclosure	36 - 36 Channels	B - Conduit Fitting Cable Entry With Spring Cage Terminal Blocks**
	48 - 48 Channel	C - Cord Grip Cable Entry With Spring Cage Terminal Blocks
		E - BNC Cable Connection With Spring Cage Terminal Blocks
		S - Stainless Steel Cord Grip Entry With Spring Cage Terminal Blocks*
		G - User Defined Entry With Screw Terminal Blocks*
		H - Conduit Fitting Cable Entry With Screw Terminal Blocks**
		I - Cord Grip Cable Entry With Screw Terminal Blocks
		J - BNC Cable Connection With Screw Terminal Blocks
		K - Stainless Steel Cord Grip Entry With Screw Terminal Blocks*

*No punch outs are provided in the enclosure for cable entry. User may install any fitting required.
 **For use with rigid body conduit.
 *Stainless Steel enclosure only

Backed by our Unconditional Lifetime Warranty

www.ctconline.com | sales@ctconline.com | 585-924-5900

SB102 Standard Size



VIBRATION ANALYSIS HARDWARE

Single Axis Vibration Switch Box, Fiberglass Enclosure, NEMA 4X (IP66) Rated, Sensor Input Options: 4 to 12 Single Output Sensor Inputs

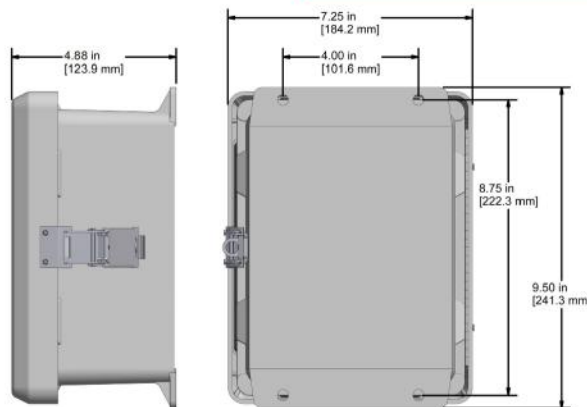


Product Features

Provides a switched output from remotely installed sensors to a data collector through a BNC and a 2 Pin MIL spec connector

Internally earth grounded for noise reduction

- ▶ Accepts inputs from up to 12 Single Axis Sensors
- ▶ Quick-release input terminal blocks for easy field wiring.
- ▶ Built-in online expansion jacks included. Purchase with JB905-1A or JB905-2A Twelve Position Plugs to utilize this feature. Please note, 1 plug is required per 6 channels.



Specifications

Temperature Range	-58°F (-50°C) to 180°F (82°C)
Enclosure Material	Fiberglass
Inputs	Terminal Block, 3 Inputs per Channel (+, -, Shield)
Outputs	BNC Jack and 2 Pin MIL
Continuous Output	Multi-Pin connector for interface with online systems (requires JB905-1A/2A)
Sensor Input Options	4, 6, 8, 10, 12
Rating	NEMA 4X (IP66)
Door Closure	Snap Latch
Dimensions	7.25 x 9.50 x 4.88 in (184 x 241 x 124 mm)
Cord Grips	Optional
Resistance	Resistant to Hose Directed Fluid and Corrosion

Ordering Information

SB -

Enclosure Type	Number of Channels	Input Options
102 - Fiberglass Enclosure	4 - 4 Channels	A - User Defined Entry With Spring Cage Terminal Blocks*
202 - Stainless Steel Enclosure	6 - 6 Channels	B - Conduit Fitting Cable Entry With Spring Cage Terminal Blocks**
	8 - 8 Channels	C - Cord Grip Cable Entry With Spring Cage Terminal Blocks
	10 - 10 Channels	E - BNC Cable Connection With Spring Cage Terminal Blocks
	12 - 12 Channel	S - Stainless Steel Cord Grip Entry With Spring Cage Terminal Blocks*
		G - User Defined Entry With Screw Terminal Blocks*
		H - Conduit Fitting Cable Entry With Screw Terminal Blocks**
		I - Cord Grip Cable Entry With Screw Terminal Blocks
		J - BNC Cable Connection With Screw Terminal Blocks
		K - Stainless Steel Cord Grip Entry With Screw Terminal Blocks*

Backed by our unconditional Lifetime Warranty

www.ctconline.com | sales@ctconline.com | 585-924-5900

SB142

Dual Input & Output Vibration Switch Box, Fiberglass Enclosure, NEMA 4X (IP66) Rated, Sensor Input Options: 4 to 8 Dual Output Sensor Inputs



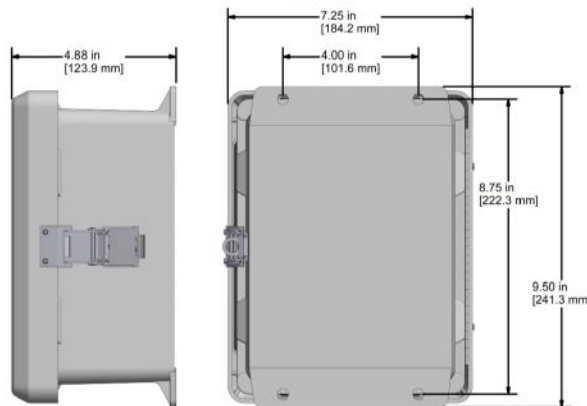
VIBRATION ANALYSIS HARDWARE



Product Features

Easily Switched Access for Dual Output Sensors
Internally earth grounded for noise reduction

- ▶ Accepts inputs from up to 8 Dual Output Sensors (16 measurement channels)
- ▶ Provides a switched output from remotely installed dual output sensors to a data collector through a 2 BNC, or 1 BNC and 2 Pin MIL spec connector
- ▶ Quick-release input terminal blocks for easy field wiring



Specifications

Temperature Range	-58°F (-50°C) to 180°F (82°C)
Enclosure Material	Fiberglass
Inputs	Terminal Block, 4 Inputs per Channel (A,B,C,GND)
Outputs	2 BNC Jacks and 2 Pin MIL
Continuous Output	Multi-pin connector for interface with online systems (requires JB905-1A/2A)
Sensor Input Options	4, 6, 8
Rating	NEMA 4X (IP66)
Door Closure	Snap Latch
Dimensions	7.25 x 9.50 x 4.88 in (184 x 241 x 124 mm)
Cord Grips	Optional
Resistance	Resistant to Hose Directed Fluid and Corrosion

Ordering Information

SB -

Enclosure Type	Number of Channels	Input Options
142 - Fiberglass Enclosure	4 - 4 Channels	A - User Defined Entry With Spring Cage Terminal Blocks*
242 - Stainless Steel Enclosure	6 - 6 Channels	B - Conduit Fitting Cable Entry With Spring Cage Terminal Blocks**
	8 - 8 Channels	C - Cord Grip Cable Entry With Spring Cage Terminal Blocks
		S - Stainless Steel Cord Grip Entry With Spring Cage Terminal Blocks*
		G - User Defined Entry With Screw Terminal Blocks*
		H - Conduit Fitting Cable Entry With Screw Terminal Blocks**
		I - Cord Grip Cable Entry With Screw Terminal Blocks
		K - Stainless Steel Cord Grip Entry With Screw Terminal Blocks*

*No punch outs are provided in the enclosure for cable entry. User may install any fitting required.

**For use with rigid body conduit.

*Stainless Steel enclosure only

Backed by our Unconditional Lifetime Warranty

www.ctconline.com | sales@ctconline.com | 585-924-5900

SB152



VIBRATION ANALYSIS HARDWARE

Single Axis Vibration Switch Box with Continuous Output BNCs, Fiberglass Enclosure, NEMA 4X (IP66) Rated, Sensor Input Options: 6 to 12 Dual Output Sensor Inputs

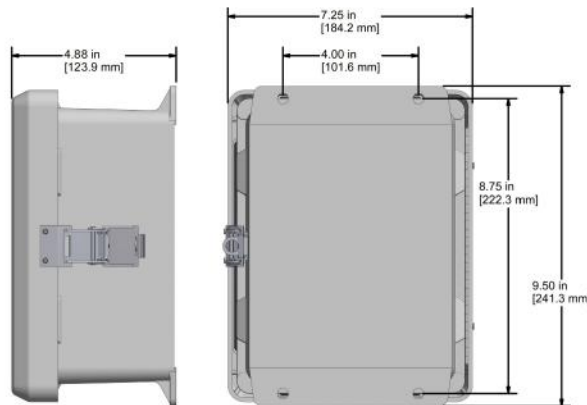


Product Features

Provides a switched output to a data collector, or continuous outputs to a signal recorder or multi-channel analyzer

Internally earth grounded for noise reduction

- ▶ Accepts inputs from up to 12 Single Axis Sensors
- ▶ Quick-release input terminal blocks for easy field wiring
- ▶ BNC jacks for multi-channel output



Specifications

Temperature Range	-58°F (-50°C) to 180°F (82°C)
Enclosure Material	Fiberglass
Inputs	Terminal Block 3 Inputs per Channel (+, -, Shield)
Outputs	BNC Jack and 2 Pin MIL
Continuous Output	12 BNC Jacks
Sensor Input Options	6 or 12 Channels
Rating	NEMA 4X (IP66)
Door Closure	Snap Latch
Dimensions	7.72 x 9.61 x 4.61 in (196 x 244 x 117 mm)
Cord Grips	Optional
Resistance	Resistant to Hose Directed Fluid and Corrosion

Ordering Information

SB -

Enclosure Type	Channels	Input Options
152 - Fiberglass Enclosure 252 - Stainless Steel Enclosure	6 - 6 Channels 12 - 12 Channels	A - User Defined* B - Conduit Fitting** C - Cord Grips S - Stainless Steel Cord Grips*

*No punch outs are provided in the enclosure for cable entry. User may install any fitting required.
**For use with conduit.
*Stainless steel enclosures only.

Backed by our Unconditional Lifetime Warranty

www.ctconline.com | sales@ctconline.com | 585-924-5900

SB262



VIBRATION ANALYSIS HARDWARE

Single Axis Sloped Top Vibration Switch Box, Stainless Steel Enclosure, NEMA 4X (IP66) Rated, Sensor Input Options: 4 to 12 Single Output Sensor Inputs

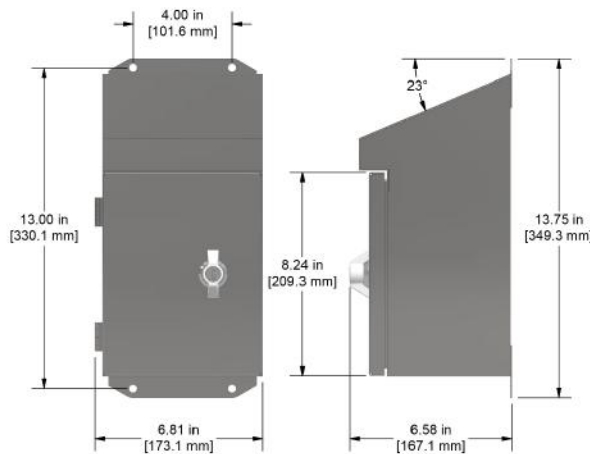


Product Features

Provides a switched output to a BNC and 2 Pin connector

Internally earth grounded for noise reduction

- ▶ Sloped top prevents dust and dirt build-up
- ▶ Provides a switched output from remotely installed sensors to a data collector through a BNC and a 2 Pin MIL spec connector
- ▶ Quick-release input terminal blocks



Specifications

Temperature Range	-58° to 180°F (-50° to 82°C)
Enclosure Material	Stainless Steel
Inputs	Terminal Block 3 Inputs per Channel (+ - Shield)
Outputs	BNC Jack and 2 Pin MIL
Continuous Output	Multi-pin connector for interface with online systems (optional) Requires JB905-1A/2A
Sensor Input Options	4 - 12 Channels
Rating	NEMA 4X
Door Closure	Twist Lock
Dimensions	6.24 x 13.75 x 6.12 in (159 x 349 x 155 mm)
Resistance	Resistant to Hose Directed Fluid and Corrosion

Ordering Information

SB262 - [] [] []

Enclosure Type	Channels	Input Options
Stainless Steel Enclosure with Sloped Top	4 - 4 Channels 6 - 6 Channels 9 - 9 Channels 10 - 10 Channels 12 - 12 Channels	A - User Defined with Spring Cage Terminal Blocks* B - Conduit Fitting with Spring Cage Terminal Blocks** C - Cord Grips with Spring Cage Terminal Blocks E - BNC Cable Connection with Spring Cage Terminal Blocks S - Stainless Steel Cord Grips with Spring Cage Terminal Blocks* G - User Defined with Screw Terminal Blocks H - Conduit Fitting with Screw Terminal Blocks** I - Cord Grips with Screw Terminal Blocks J - BNC Cable Connection with Terminal Blocks K - Stainless Steel Cord Grips with Screw Terminal Blocks*

*No punch outs are provided in the enclosure for cable entry. User may install any fitting required.
 **For use with conduit.
 *Stainless steel enclosure only.

Backed by our Unconditional Lifetime Warranty

www.ctconline.com | sales@ctconline.com | 585-924-5900

SB282



VIBRATION ANALYSIS HARDWARE

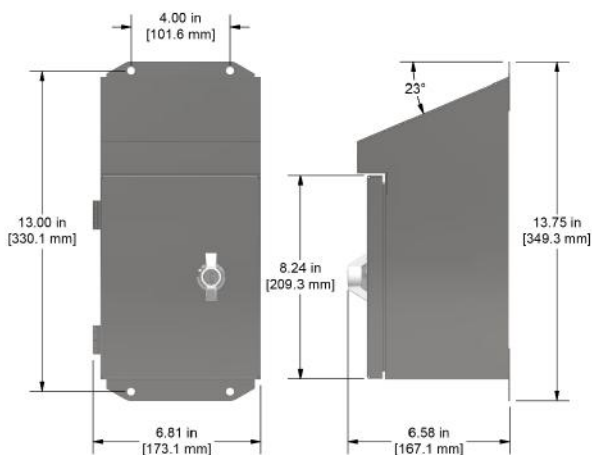
Dual Input & Output Sloped Top Vibration Switch Box, Stainless Steel Enclosure, NEMA 4X (IP66) Rated, Sensor Input Options: 4 to 8 Dual Output Sensor Inputs



Product Features

Switch Box for use with Dual Output (Temperature & Vibration) Sensors

- ▶ Accepts inputs from up to 12 Single Axis Sensors
- ▶ Built-in online expansion jacks included
- ▶ Quick-release input terminal blocks for easy field wiring



Specifications

Temperature Range	-58° to 180°F (-50° to 82°C)
Enclosure Material	Stainless Steel
Inputs	Terminal Block 4 Inputs per Channel (A B C GND)
Outputs	2 BNC Jacks and 2 Pin MIL
Continuous Output	Multi-pin connector for interface with online systems (optional) Requires JB906-1A/2A
Sensor Input Options	4 - 8 Channels
Rating	NEMA 4X
Door Closure	Twist Lock
Dimensions	6.24 x 13.75 x 6.12 in (159 x 349.2 x 155 mm)
Resistance	Resistant to Hose Directed Fluid and Corrosion

Ordering Information

SB282 -

Enclosure Type	Channels	Input Options
Stainless Steel Enclosure with Sloped Top	4 - 4 Channels 6 - 6 Channels 8 - 8 Channels	A - User Defined with Spring Cage Terminal Blocks* B - Conduit Fitting with Spring Cage Terminal Blocks** C - Cord Grips with Spring Cage Terminal Blocks S - Stainless Steel Cord Grips with Spring Cage Terminal Blocks* G - User Defined with Screw Terminal Blocks* H - Conduit Fitting with Screw Terminal Blocks** I - Cord Grips with Screw Terminal Blocks K - Stainless Steel Cord Grips with Screw Terminal Blocks*

*No punch outs are provided in the enclosure for cable entry. User may install any fitting required.
**For use with conduit.
*Stainless steel enclosure only.

Backed by our Unconditional Lifetime Warranty

www.ctconline.com | sales@ctconline.com | 585-924-5900